

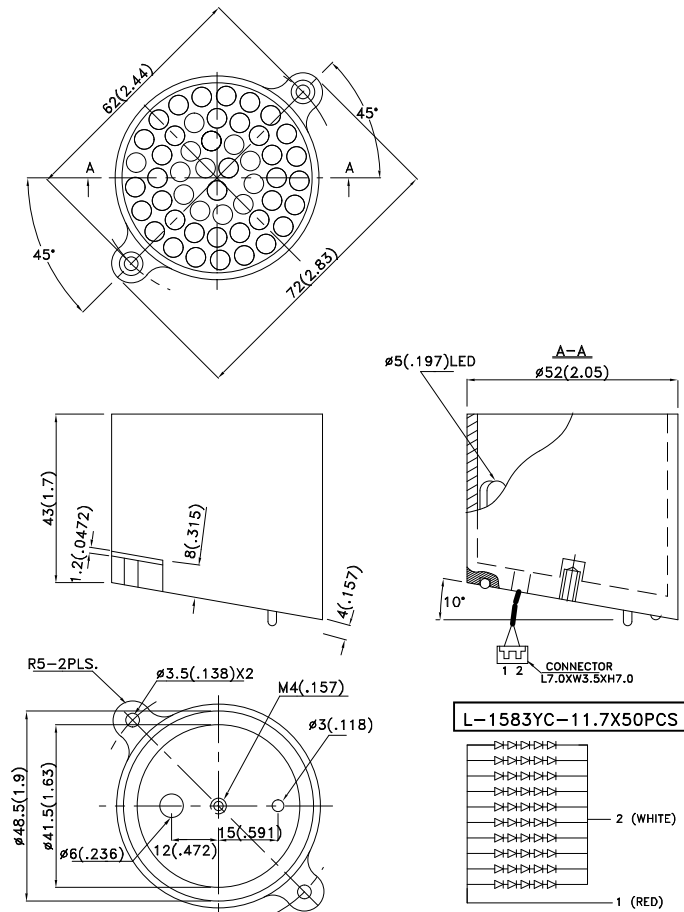
Features

- Waterproof construction.
- Suitable for outdoor applications, signboard or message board, etc.
- RoHs compliant.

Description

The Yellow source color devices are made with Gallium Arsenide Phosphide on Gallium Phosphide Yellow Light Emitting Diode.

Package Dimensions



Notes:

1. All dimensions are in millimeters (inches).
2. Tolerance is $\pm 0.25(0.01)$ unless otherwise noted.
3. The specifications, characteristics and technical data described in the datasheet are subject to change without prior notice.



Electrical / Optical Characteristics at T_A=25°C

Symbol	Parameter	Device	Color	Min.	Typ.	Max.	Units	Test Conditions
I _V	Luminous Intensity	BL0307-50-45	Yellow	750	1500	-	mcd	I _F =200mA
2 θ _{1/2}	Viewing Angle		Yellow	-	40	-	deg	-
V _F	Forward Voltage		Yellow	-	10.5	12.5	V	I _F =200mA
λ _{peak}	Peak Wavelength		Yellow	-	590	-	nm	I _F =200mA
λ _D	Dominant Wavelength		Yellow	-	588	-	nm	I _F =200mA
Δλ _{1/2}	Spectral Line Half-width		Yellow	-	35	-	nm	I _F =200mA
I _R	Reverse Current		Yellow	-	-	100	uA	V _R = 5V

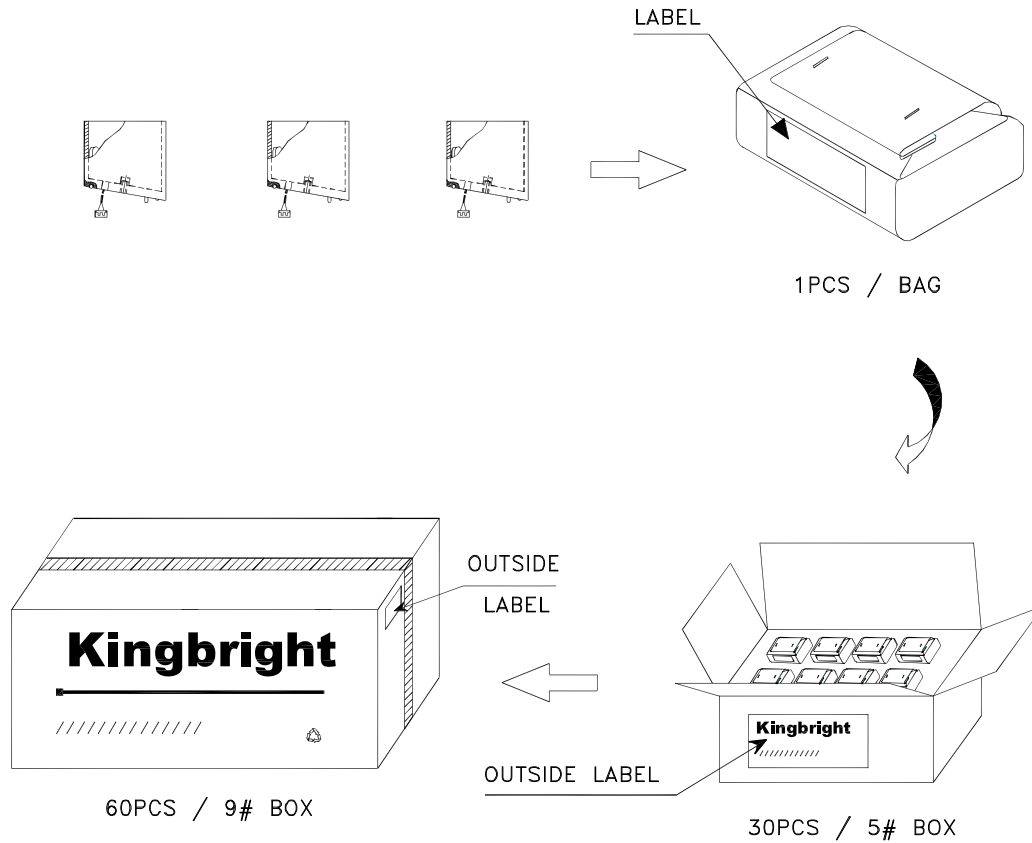
Absolute Maximum Ratings at T_A=25°C


Parameter	Type	Units
Power dissipation	3750	mW
DC Forward Current	300	mA
Reverse Voltage	5	V
Operating Temperature	-40°C To +70°C	
Storage Temperature	-40°C To +85°C	

Kingbright

PACKING & LABEL SPECIFICATIONS

BL0307-50-45



<h1>Kingbright</h1>		
P/NO: BL0307-50xxx		
QTY: 1pcs	Q.C.	Q C XX XX XXXX PASSED
S/N: XXXX		
CODE: XXX		
LOT NO:		
 XXXXXXXXXXXXXXXXXXXX		
RoHS Compliant		