

ENERGIZER 186

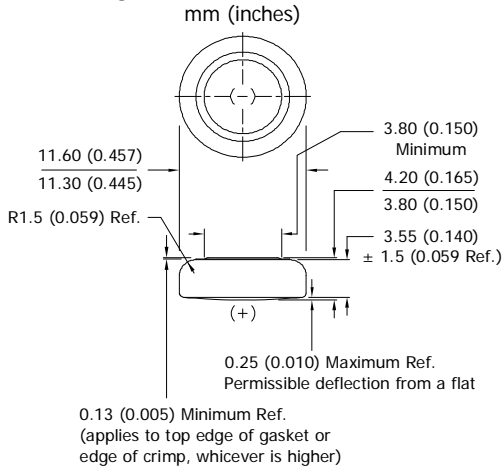
Miniature Alkaline



Specifications

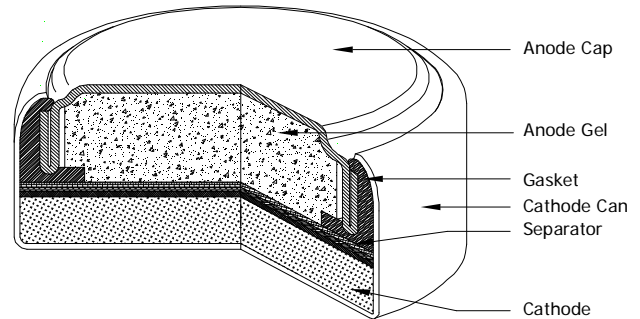
- Chemical System:** Manganese Dioxide (MnO₂)
- Designation:** IEC-LR43
- Nominal Voltage:** 1.5 Volts
- Typical Capacity:** 123 mAh (to 0.9 volts)
Rated at 15K ohms / 21°C (70°F)
- Typical Weight:** 1.5 grams (0.05 ounces)
- Typical Volume:** 0.40 cubic centimeters (0.05 cubic inch)

Industry Standard Dimensions



Designed for electronic applications which may require high rate pulses

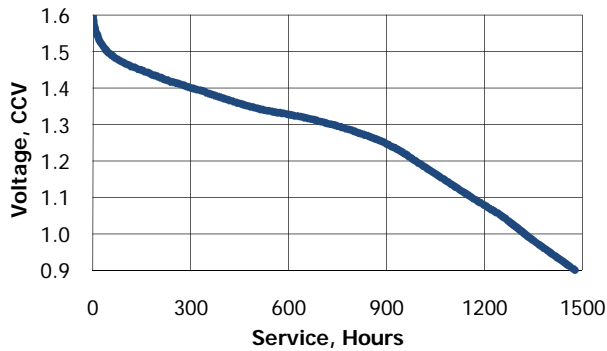
Cross Section



Typical Discharge Characteristics

21°C (70°F)

Load: 15K ohms - Continuous
Typical Drain @ 1.25V: 0.125 mA



Depth of Discharge Test

Percent of rated Capacity at 21°C (70°F)

Typical closed circuit voltage during discharge on a load of 100 ohms for 0.1 to 2.0 seconds

% Rated Capacity	0%	40%	80%
	1.52V	1.19V	1.07V

Bulge Data

This battery will bulge as it is discharged but will not exceed the maximum height shown on the battery drawing.

Schedule:	Typical Drains: at 1.25V (milliamperes)	Load (ohms)	Cutoff 0.9V (hours)
Continuous	0.083	15,000	1,476

Important Notice

This data sheet contains typical information specific to products manufactured at the time of its publication.
©Energizer Holdings, Inc. - Contents herein do not constitute a warranty.