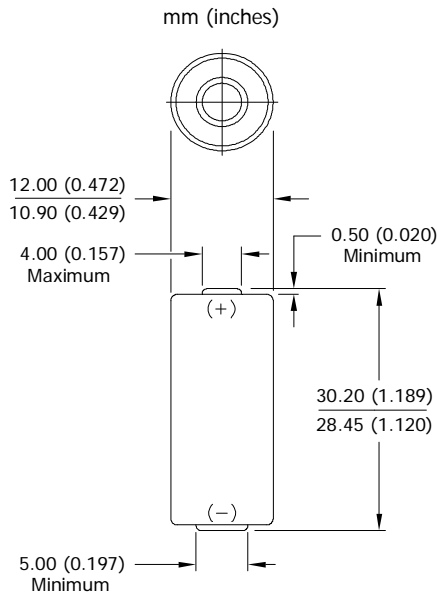


ENERGIZER LR1



Typical Dimensions

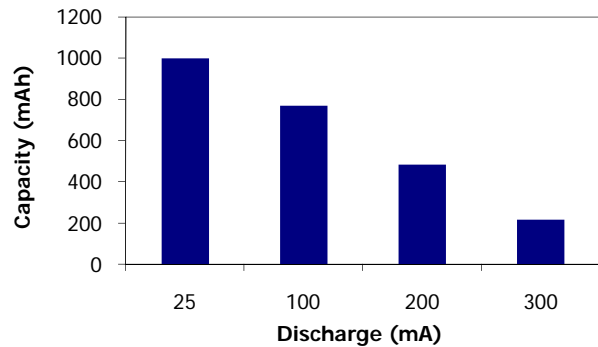


Specifications

Classification:	Alkaline
Chemical System:	Zinc-Manganese Dioxide (Zn/MnO ₂) No added mercury or cadmium
Designation:	IEC-LR1
Nominal Voltage:	1.5 volts
Nominal IR:	150 to 300 milliohms (fresh)
Operating Temp:	-18°C to 55°C
Typical Weight:	9.0 grams
Typical Volume:	3.3 cubic centimeters
Jacket:	Plastic Label
Terminal:	Flat Contact

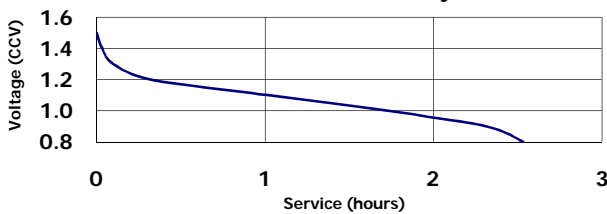
Milliamp-Hours Capacity

Continuous discharge to 0.8 volts at 21°C

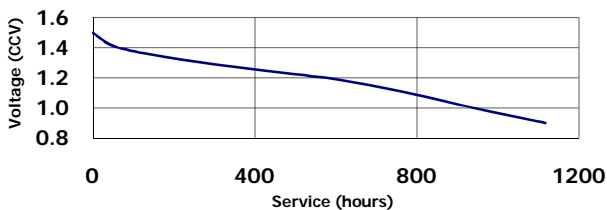


Industry Standard Tests (21°C)

LIGHTING
5.1 ohm 5 min/day

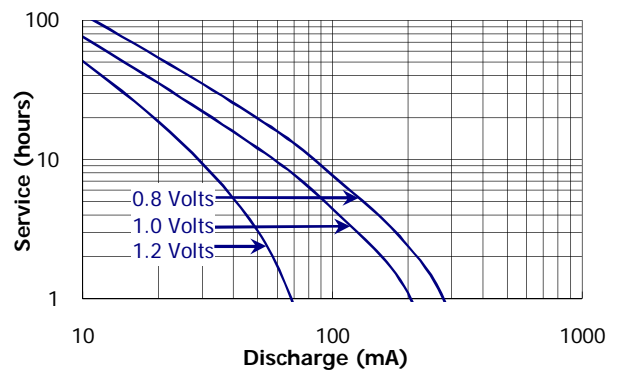


PAGER
3K/10 ohm 5 sec/hr 24 PPD/1 RPD



Constant Current Performance

Typical Characteristics (21°C)



Important Notice

This data sheet contains typical information specific to products manufactured at the time of its publication.
©Energizer Holdings, Inc. - Contents herein do not constitute a warranty.