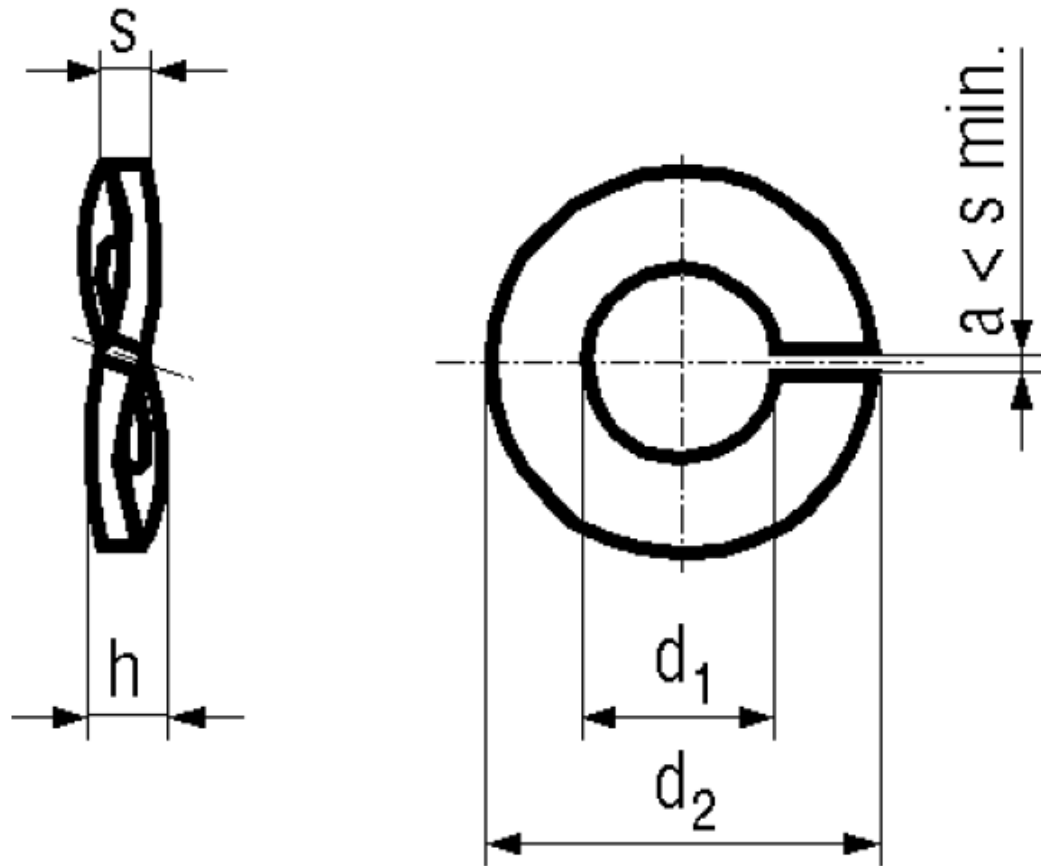


BN 771 - DIN 128 B

Waved spring lock washers

DIN 128 B
~UNI 8839 B



Material	Spring steel	Hardness	430-530 HV
Surface	mechanical zinc plated blue		

Article No. - 1276948	
for thread	M8
d_1 min.	8,1
d_2 max.	14,8
h min.	2,45
s min.	1,5

DIN 128 B: Form B is no longer in force. We recommend DIN 128 A for new constructions.