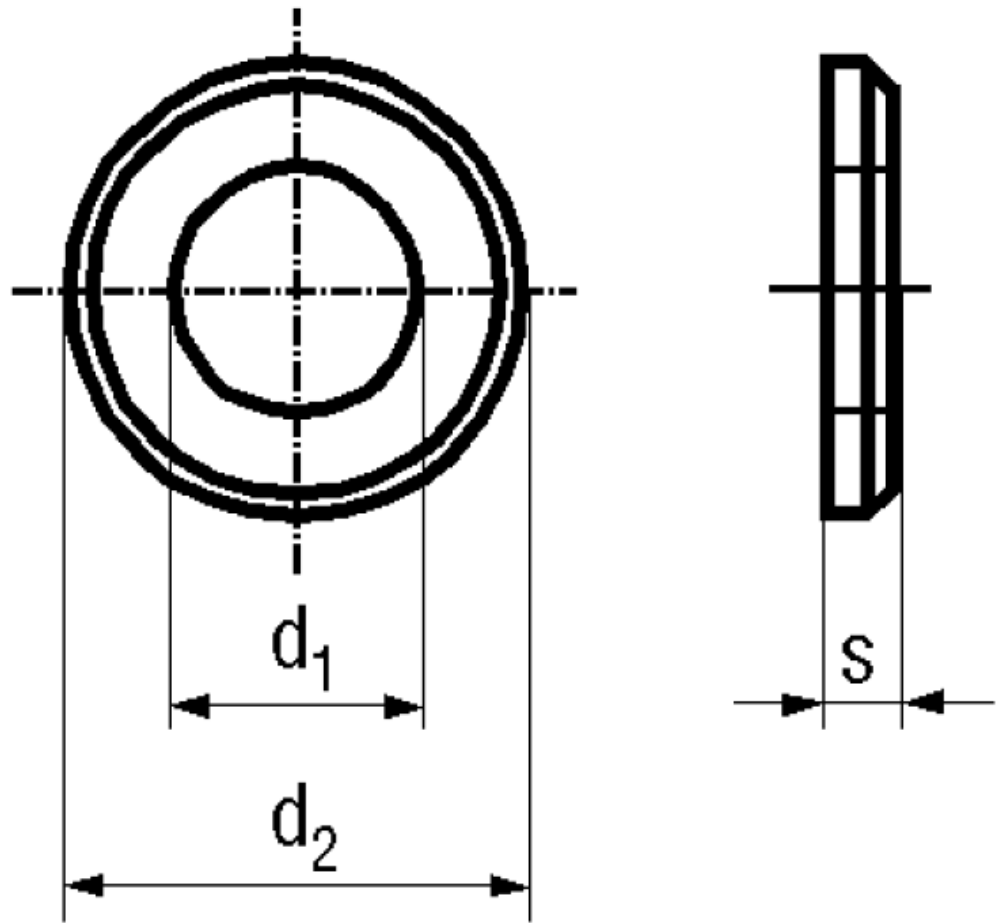


BN 722 - DIN 125 B - ~ISO 7090

Flat washers
with chamfer

DIN 125 B
~ISO 7090
VSM 13902
~UNI 6592



Material	Steel	Hardness grade	140 HV
Surface	chrome plated		

Article No. - 1762079

for thread	M8
d_1	8,4
d_2	16
s	1,6

DIN 125: Standard withdrawn