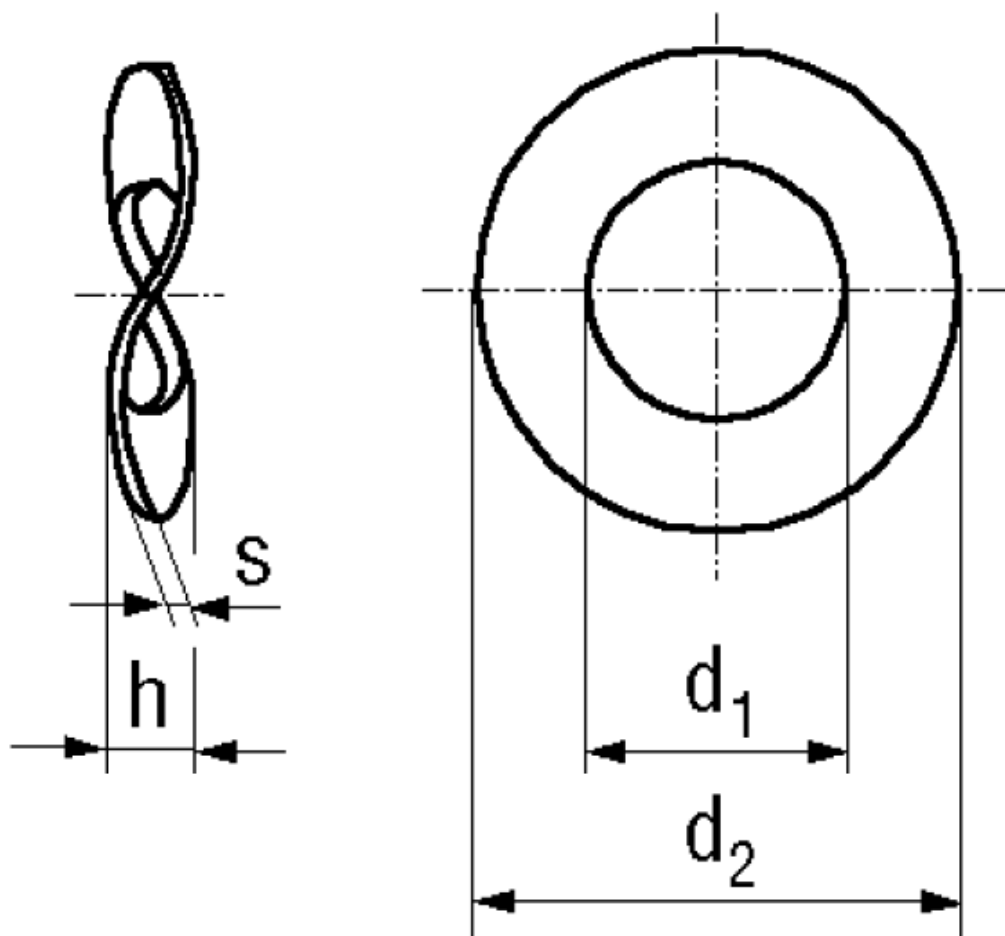


BN 678 - DIN 137 B

Waved spring washers

DIN 137 B
~UNI 8840 B



Material **Stainless steel** Quality **A2 / 1.4310**

Article No. - 1250256	
for thread	M8
d_1	8,4
d_2	15
h min.	1,5
s	0,8

Form A is no longer in force. We recommend DIN 137 B for new constructions.

Material: At manufacturer's option