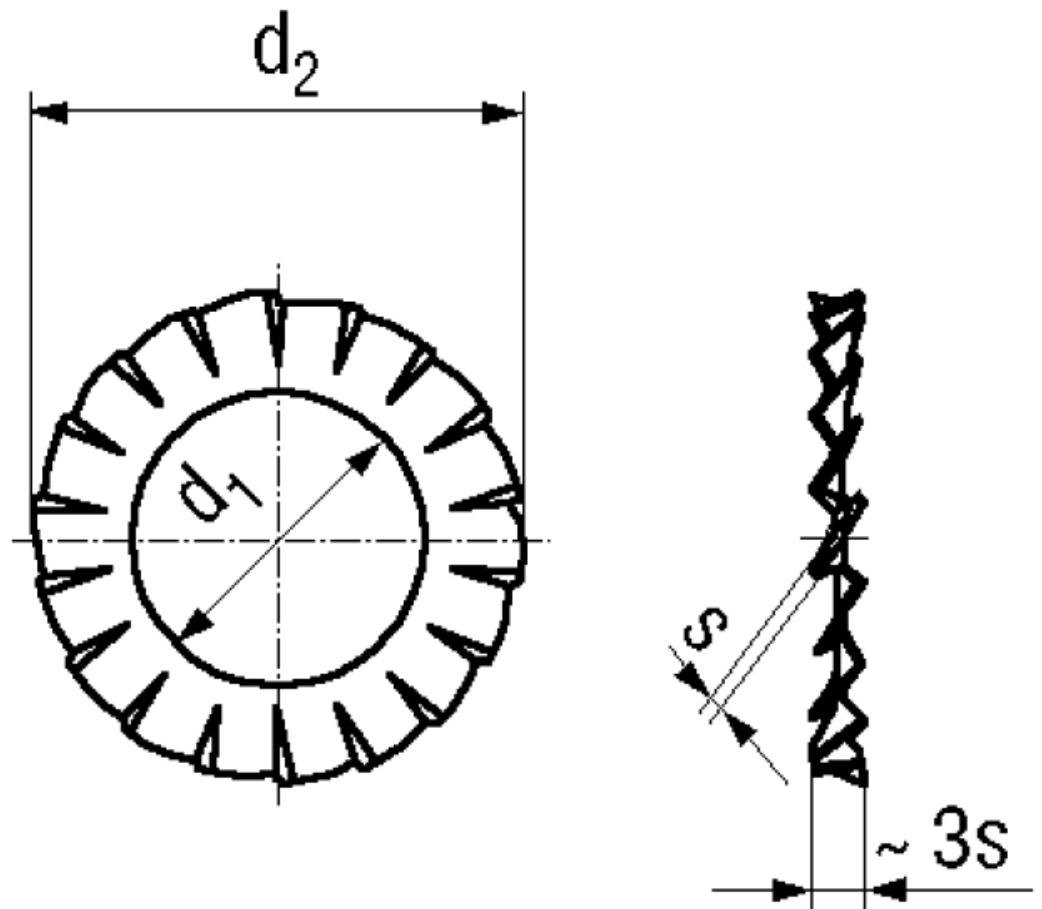


BN 675

Serrated lock washers
type A, external serrated

DIN 6798 A
~UNI 8842 A



Material	Stainless steel	Quality	A2
----------	-----------------	---------	----

Article No. - 1861093	
for screws:	M8
d_1 min.	8,4
d_2 max.	15
s	0,8

DIN 6798: Standard withdrawn
M5, M8: Only for hex cap screws