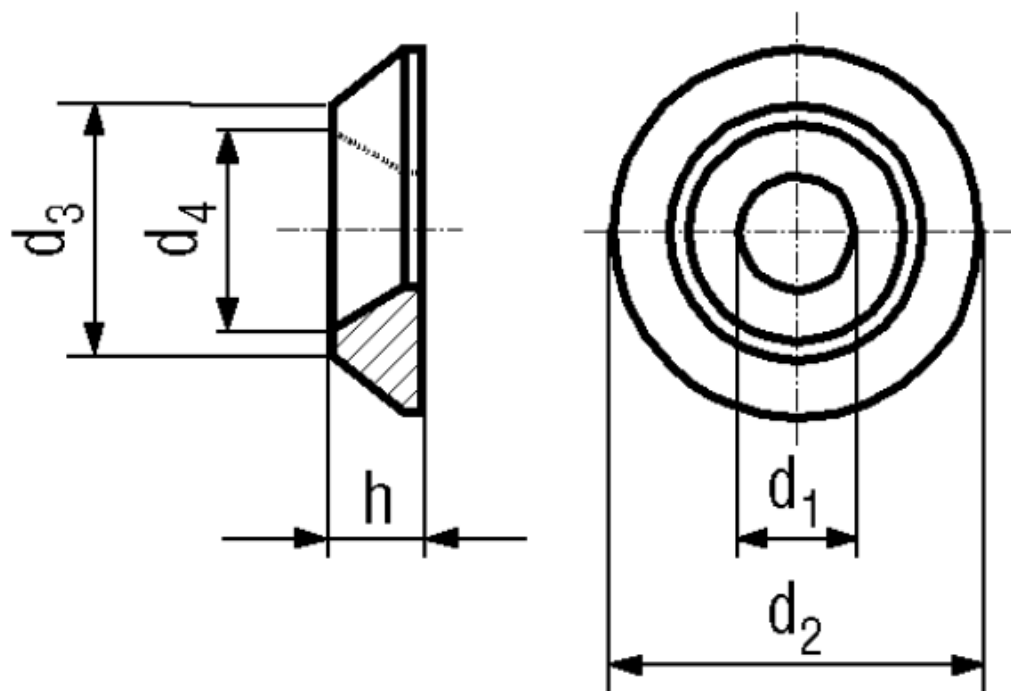


## BN 4879

Finishing washers  
for 90° countersunk head screws

SN 213912



Material **Stainless steel** Quality **A1**

### Article No. - 1184202

fit for	M8
d <sub>1</sub> min.	8,4
d <sub>2</sub> max.	25
d <sub>3</sub>	17,5
d <sub>4</sub> min.	16,4
h min.	4,8