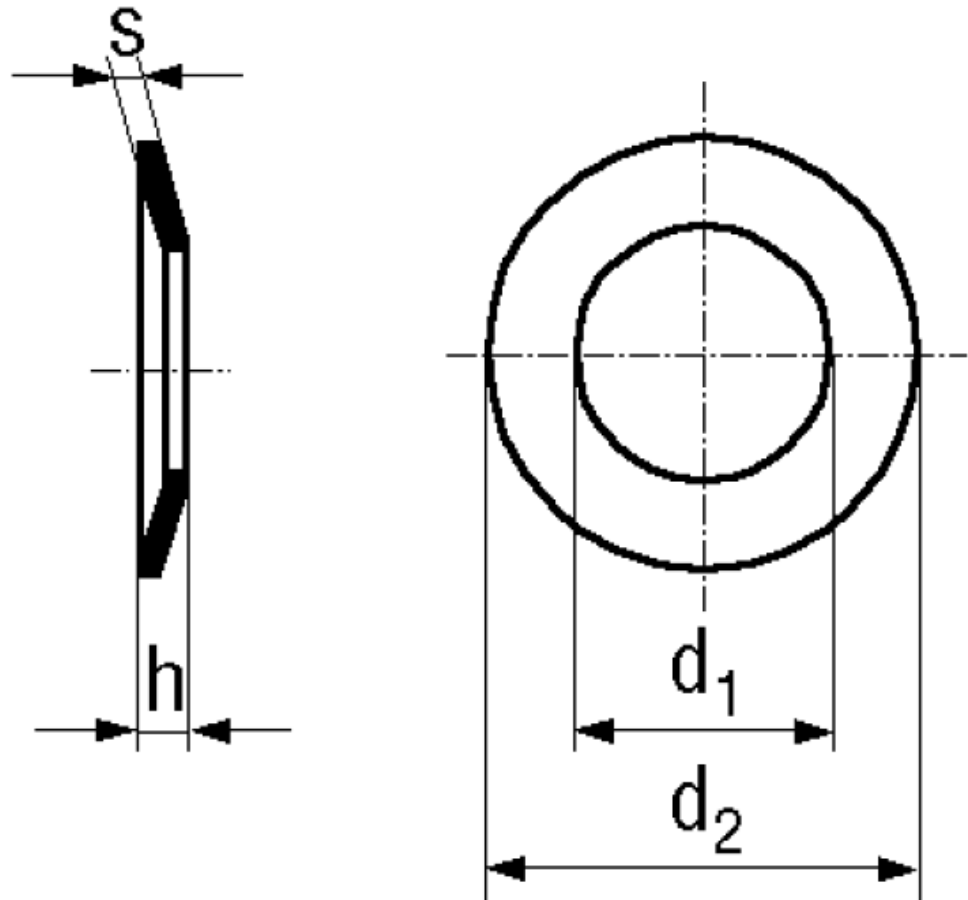


BN 2312 - DIN 6796

Conical spring washers
for fastening joints

DIN 6796
~UNI 8836



Material	Stainless steel	Quality	A2
----------	-----------------	---------	----

Article No. - 2065975

for thread	M8
d_1	8,4
d_2	18
h min.	2,24
h max.	2,6
s	2

h max. = : Max. dimension as supplied.