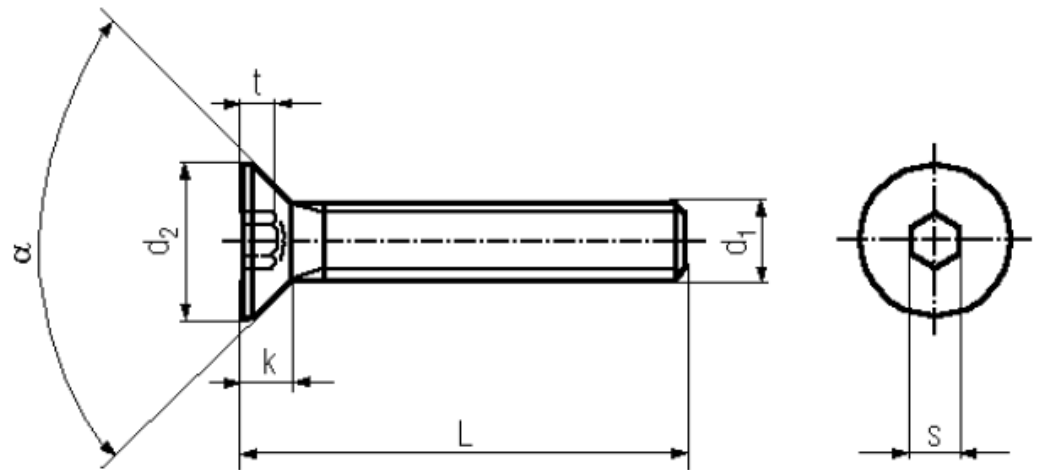


## BN 616 - DIN 7991 - ~ISO 10642

Hexagon socket flat countersunk  
head screws  
fully threaded  
fully threaded

DIN 7991  
~ISO 10642  
~UNI 5933



Material	Stainless steel	Quality	A2
----------	-----------------	---------	----

### Article No. - 1115642

d <sub>1</sub>	M8
L	70
d <sub>2</sub> max.	16
k max.	4,4
s	5
t	3,5
v	90

DIN 7991: Standard withdrawn