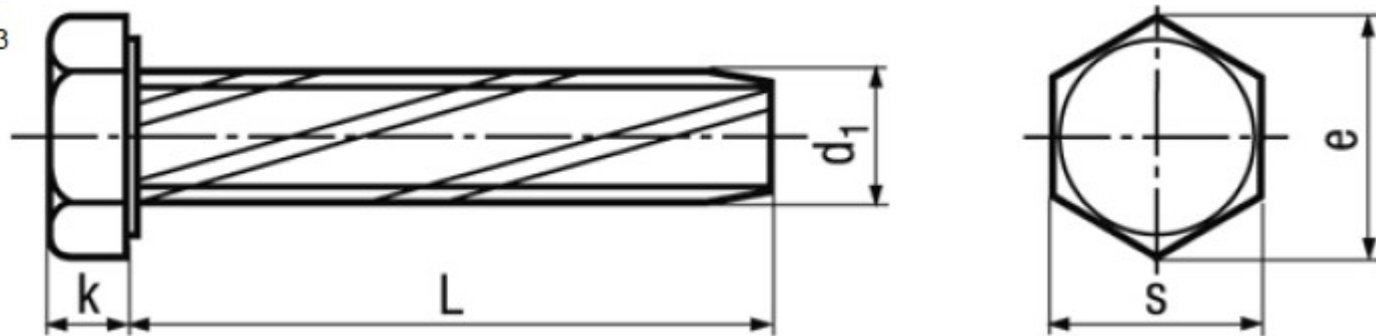


## BN 1221 - DIN 7513 A

Hexagon  
head  
thread  
cutting  
screws  
type A,  
with  
metric  
thread  
case-  
hardened

DIN 7513  
A



Material	Steel	Hardness	450 HV
Surface	zinc plated blue		

### Article No. - 1421107

$d_1$	M8
L	25
k	5,3
s	13
e min.	14,38
Drill- $\emptyset$	7,4

Fasteners steel case-hardened  $\geq 320$  HV with electroplated coatings: Susceptible to hydrogen embrittlement!