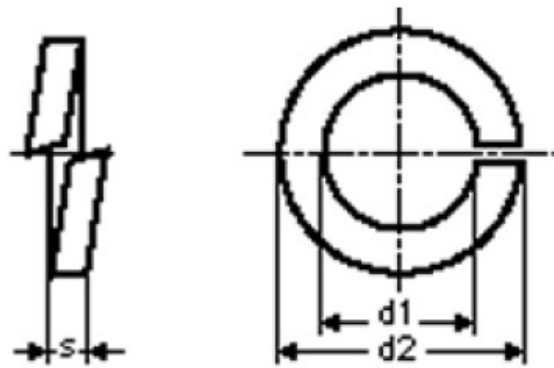


## BN 774 - DIN 7980

Helical  
spring  
lock  
washers  
for  
screws  
with  
cylindrical  
head

DIN 7980



Material	Spring steel	Hardness	430-530 HV
Surface	zinc plated blue		

Article No. - 1277278	
for thread	M6
d <sub>1</sub> min.	6,1
d <sub>1</sub> max.	6,5
d <sub>2</sub> max.	9,9
s	1,6

DIN 7980: Standard withdrawn

Spring elements  $\geq 320$  HV electroplated coatings: Susceptible to hydrogen embrittlement!  
Other coatings on request.