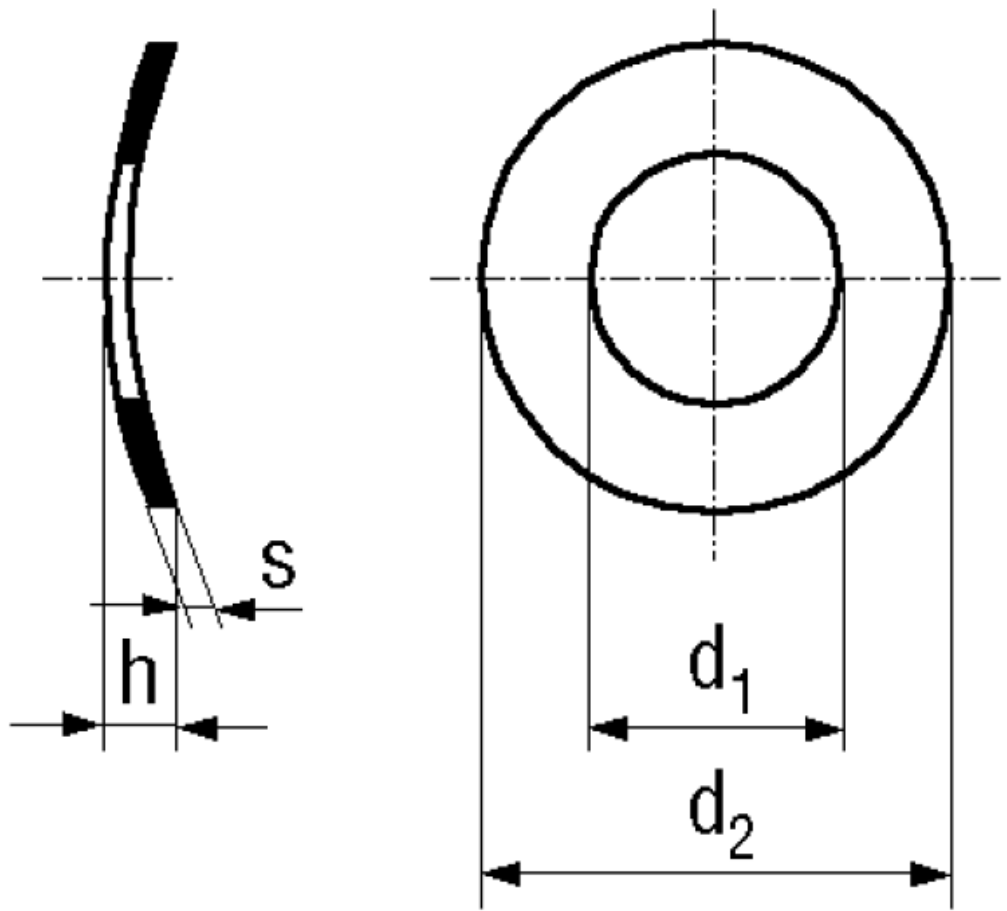


BN 677 - DIN 137 A

Curved spring washers

DIN 137 A
~UNI 8840 A



Material	Stainless steel	Quality	A2 / 1.4310
----------	-----------------	---------	-------------

Article No. - 1250167	
for thread	M6
d_1	6,4
d_2	11
h min.	1,1
s	0,5

Form A is no longer in force. We recommend DIN 137 B for new constructions.
Material: at manufacturer's option.