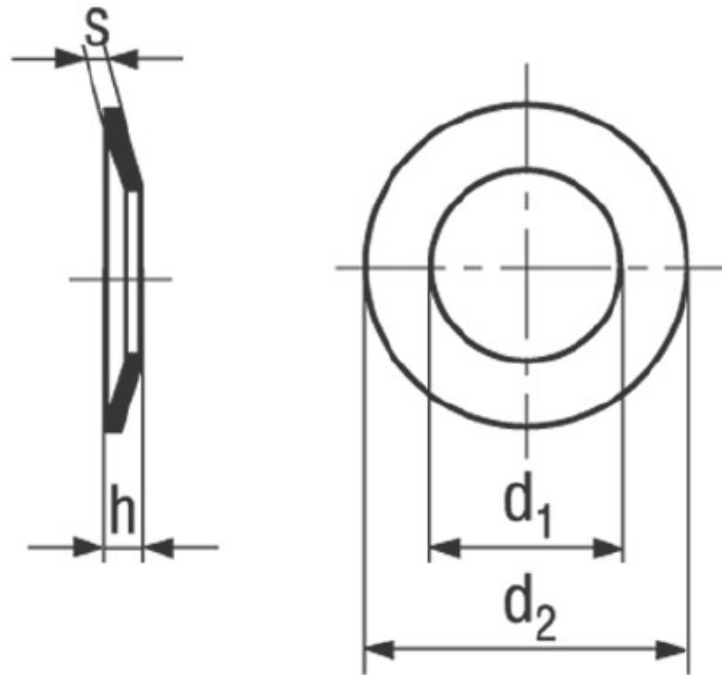


BN 65363 - DIN 6796

Conical spring washers

DIN 6796
~UNI 8836



Material	Spring steel	Hardness	420-510 HV
Surface	zincflake coated		

Article No. - 3186794	
for thread	M6
d_1	6,4
d_2	14
h min.	1,7
h max.	2
s	1,5