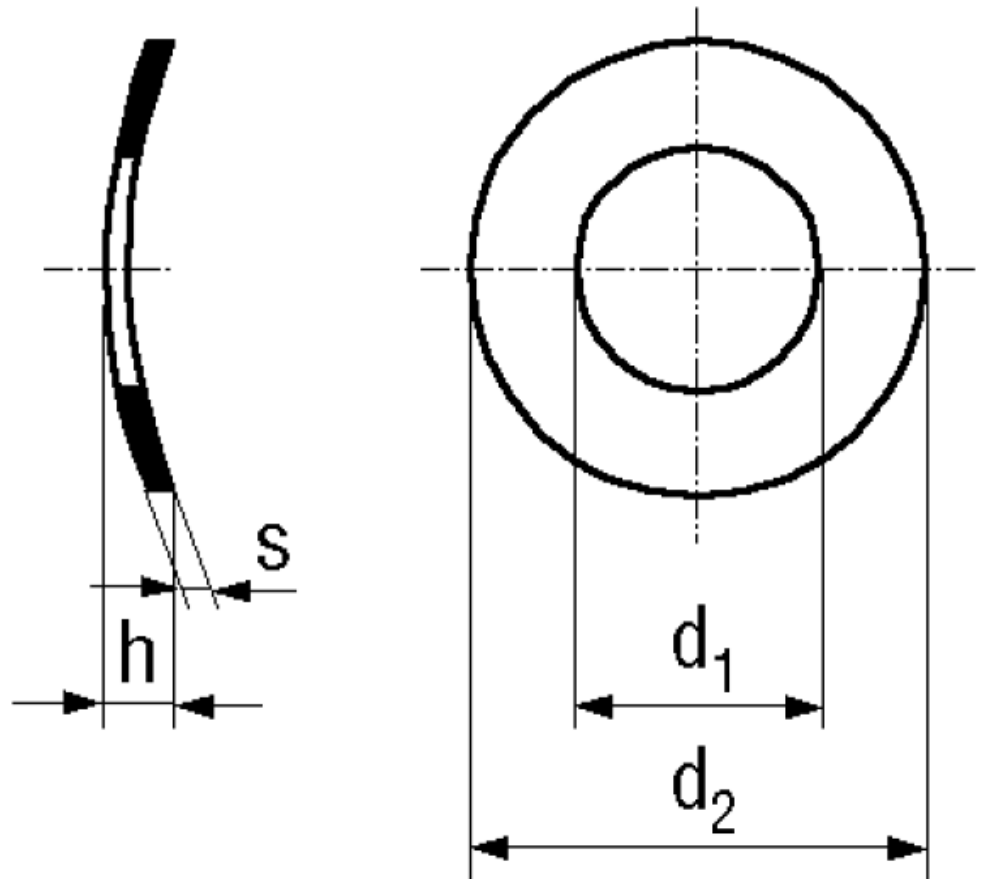


## BN 590 - DIN 137 A

Curved spring washers

DIN 137 A  
~UNI 8840A



Material	Spring bronze	Surface	plain
----------	---------------	---------	-------

Article No. - 1227734	
for thread	M6
$d_1$	6,4
$d_2$	11
h min.	1,1
s	0,5

DIN 137: Form A is no longer in force.  
We recommend DIN 137 B for new construction.