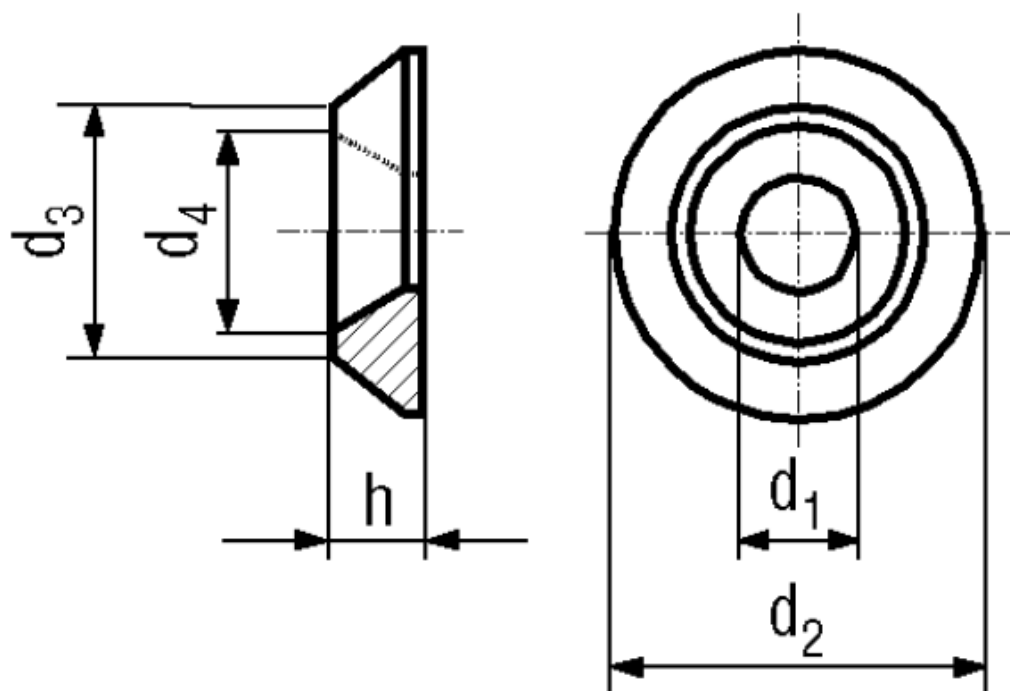


## BN 4879

Finishing washers  
for 90° countersunk head screws

SN 213912



Material	Stainless steel	Quality	A1
----------	-----------------	---------	----

Article No. - 1184199	
fit for	M6
d <sub>1</sub> min.	6,4
d <sub>2</sub> max.	18
d <sub>3</sub>	13,5
d <sub>4</sub> min.	12,4
h min.	3,3