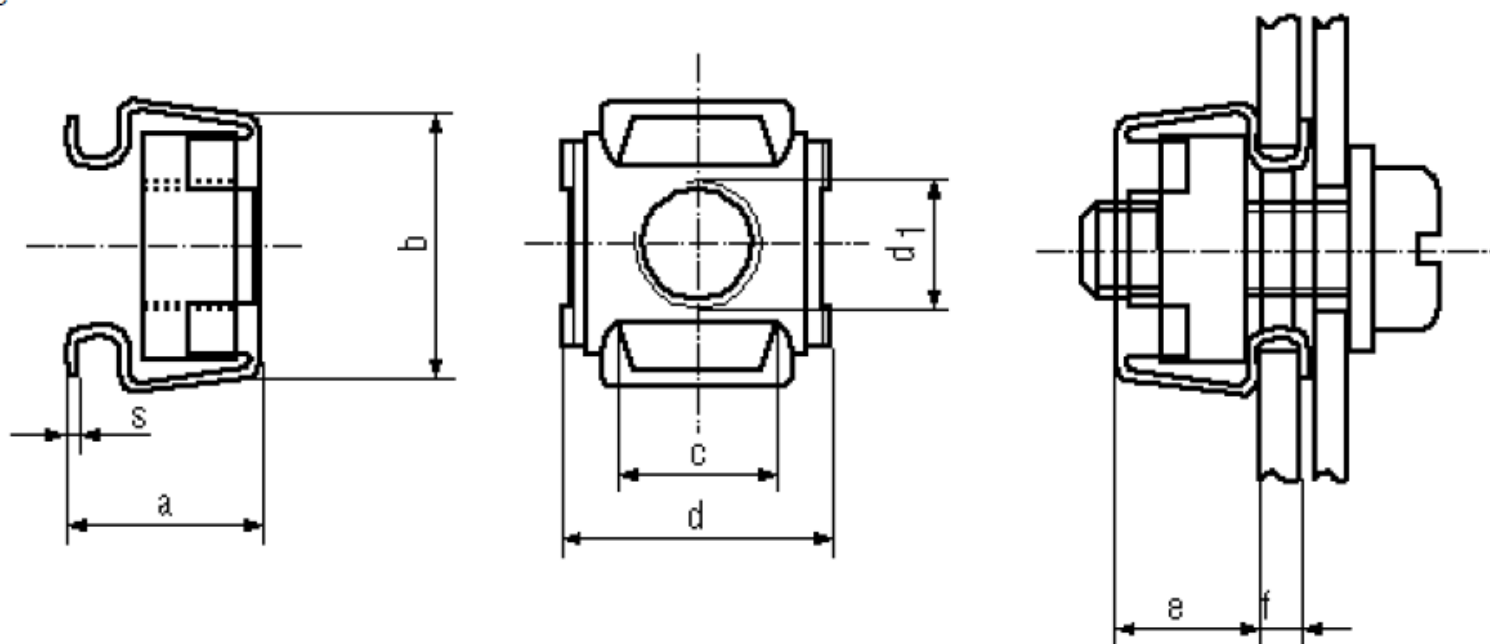


BN 3307

Cage
nuts



Material

Steel (cage
stainless steel)

Surface

zinc plated blue
(nut)

Article No. - 1538349

d ₁	M6
f	1,7-2,7
a	10
b	12
c	8
d	13,2
s	0,45
e	6,2
g	9,5