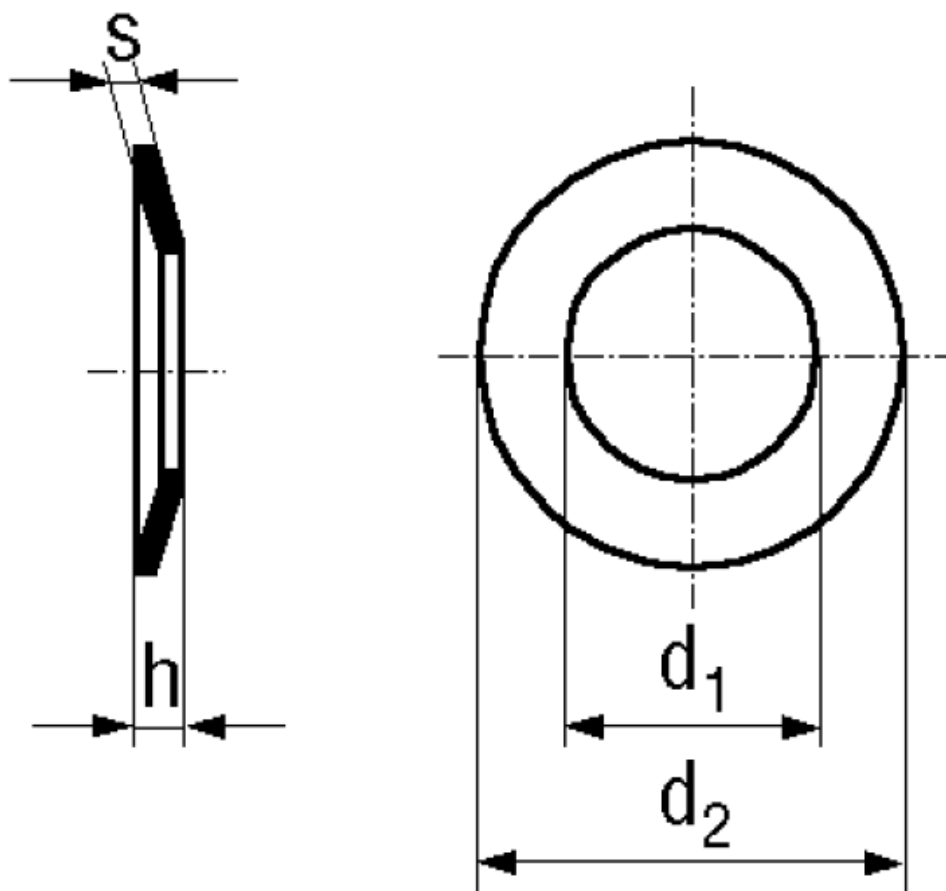


## BN 2312 - DIN 6796

Conical spring washers  
for fastening joints

DIN 6796  
~UNI 8836



Material	Stainless steel	Quality	A2
----------	-----------------	---------	----

### Article No. - 2065967

for thread	M6
$d_1$	6,4
$d_2$	14
h min.	1,7
h max.	2
s	1,5

h max. = : Max. dimension as supplied.