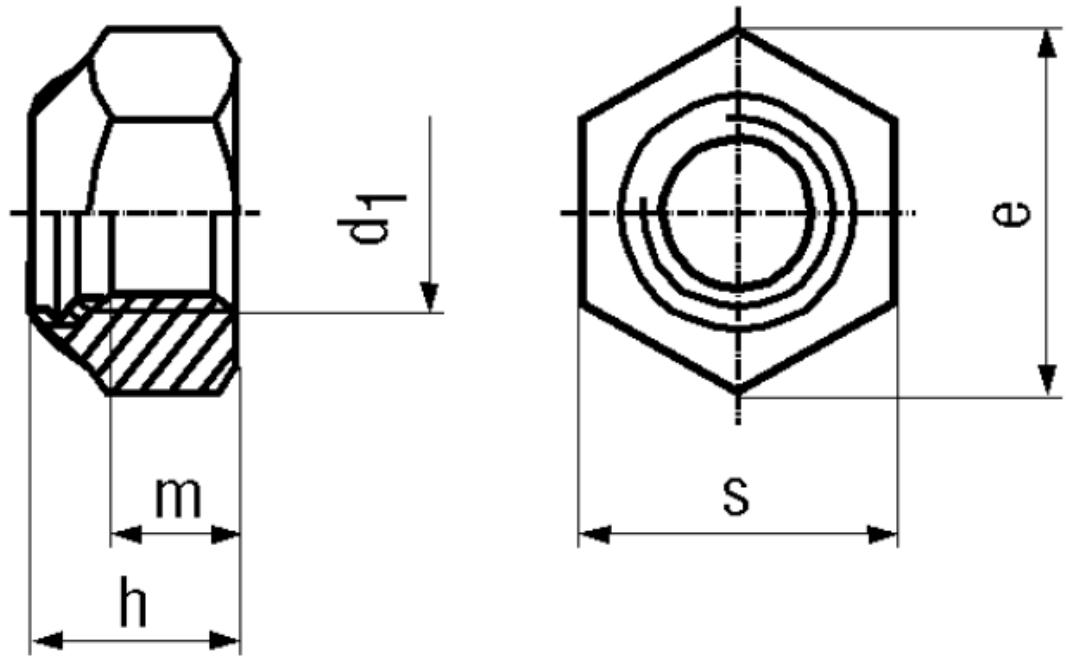


BN 1722 - DIN 985

Prevailing torque type hexagon lock nuts
low type, with polyamide insert

DIN 985
~UNI 7474



Material	Stainless steel	Quality	A4
----------	-----------------	---------	----

Article No. - 1397230

d_1	M6
e min.	11,05
h max.	6
m	4
s	10

DIN 985: Standard withdrawn

Wrench size according to ISO on request.