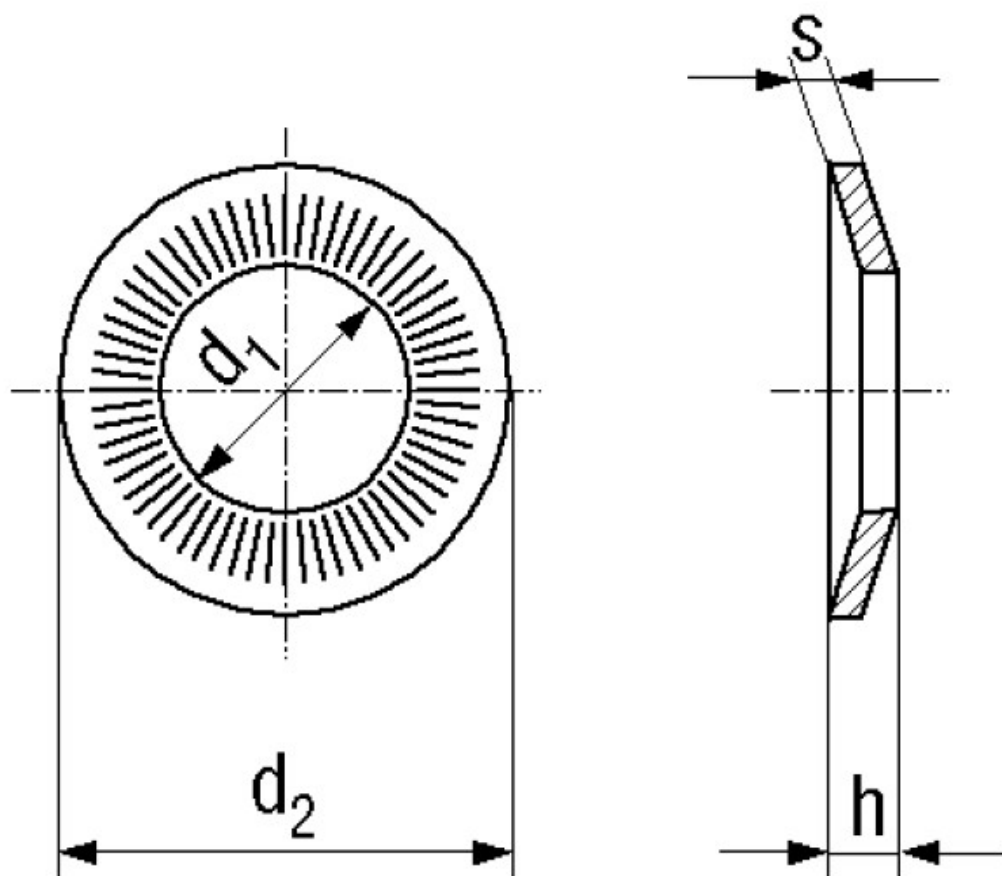


## BN 13292

Lock washers

~NF E 25-511



Trade mark	Rip-Lock	Surface	zincflake coated
Material	Spring steel		

Article No. - 1558552	
for thread	M6
$d_1$ min.	6,1
$d_2$	14
h max.	2,1
s	1,3