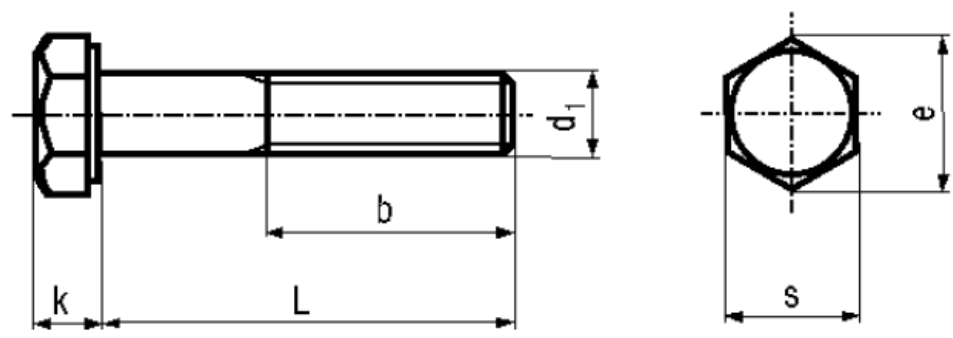


## BN 623

Hexagon head bolts  
partially threaded

DIN 931  
ISO 4014  
~UNI 5737



Material **Stainless steel** Quality **A2**

**Article No. - 1488341**

d <sub>1</sub>	M6
L	90
b	18
e	11,05
k	4
s	10

DIN 931: Standard withdrawn

Wrench size according to ISO on request.

The commercial quality is class A2-70 and A4-70 (tensile strength 700 N/ mm<sup>2</sup>) for thread diameters M5 - M24 and with lengths up to 8x thread diameter (8xd).