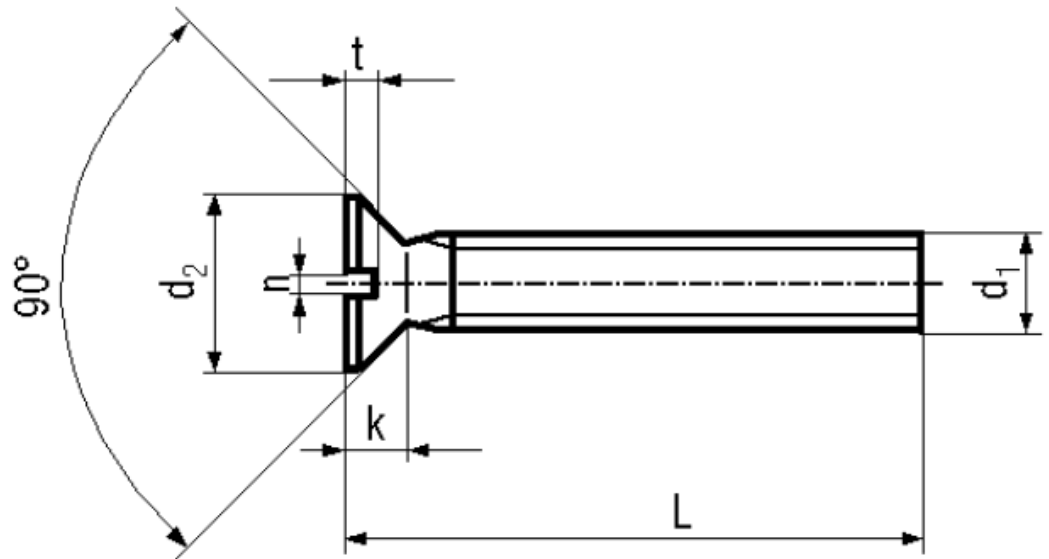


BN 1066 - ~DIN 963 A - ~ISO 2009

Slotted flat countersunk head screws

~DIN 963 A
~ISO 2009
~UNI 6109



| | | | |
|----------|---------------|---------|--------|
| Material | Polyamide 6.6 | Quality | PA 6.6 |
| Color | white | | |

Article No. - 1403370

| | |
|----------------|-----|
| d ₁ | M6 |
| L | 30 |
| d ₂ | 11 |
| k | 3 |
| n | 1,6 |
| t | 1,2 |

DIN 963: Standard withdrawn