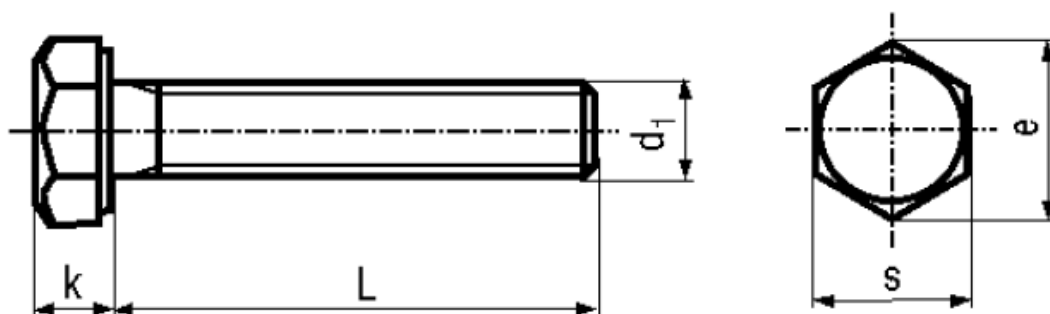


## BN 71 - DIN 933 - ISO 4017

Hexagon head screws  
fully threaded

DIN 933  
ISO 4017  
~UNI 5739



|          |              |                           |                   |
|----------|--------------|---------------------------|-------------------|
| Material | <b>Steel</b> | Tensile strength          | <b>1000 N/mm2</b> |
| Surface  | <b>black</b> | Proof stress 0,2%         | <b>940 N/mm2</b>  |
| Quality  | <b>10.9</b>  | Elongation after fracture | <b>min. 9%</b>    |

### Article No. - 1061917

|       |       |
|-------|-------|
| $d_1$ | M6    |
| L     | 20    |
| e     | 11,05 |
| k     | 4     |
| s     | 10    |

Standard withdrawn

M10; M12; M14: Wrench size according to ISO 272.