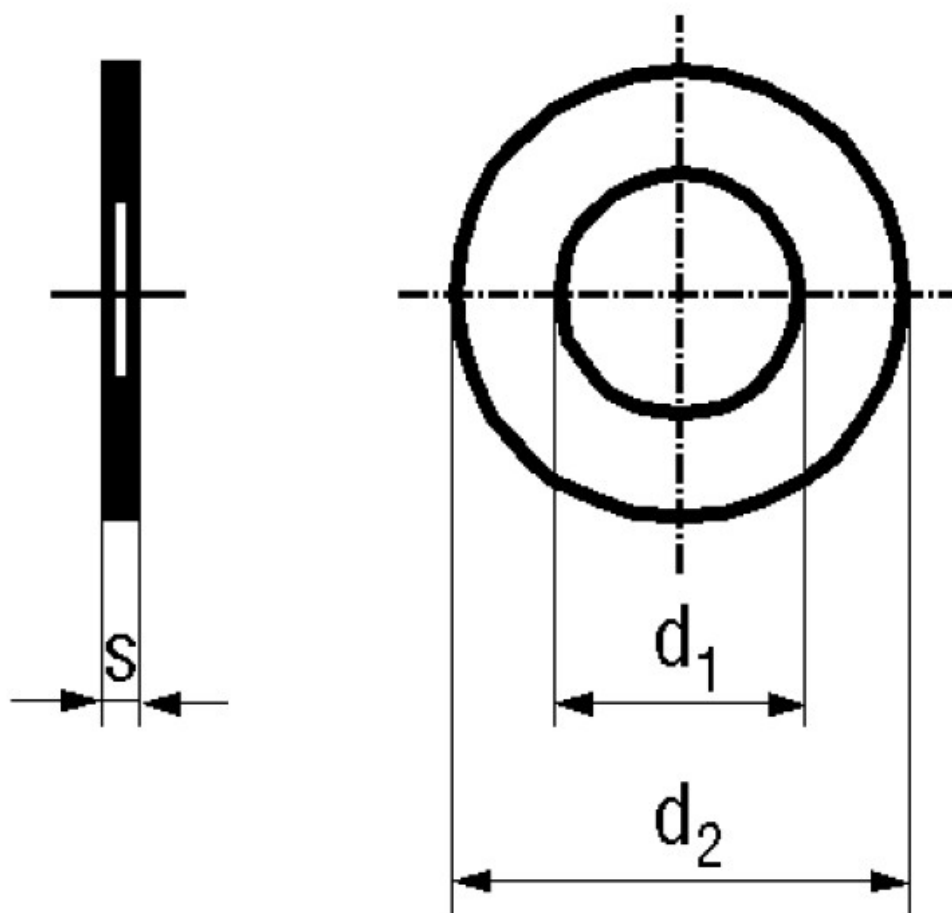


BN 1976 - DIN 988

Shim rings
lubricated

DIN 988



Material	Steel	Quality	St 2 K50
Surface	plain	Hardness grade	St 2K50

Article No. - 3045430

d_1	6
d_2	12
s	1