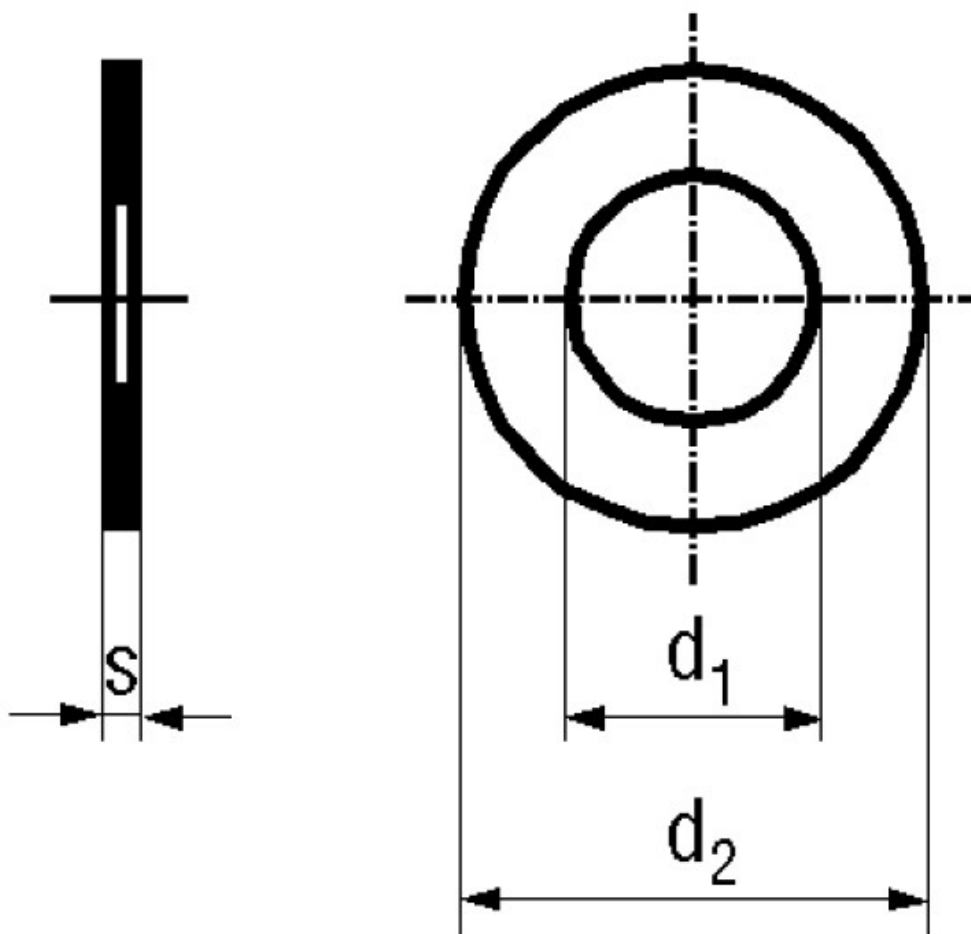


BN 1976 - DIN 988

Shim rings
lubricated

DIN 988



| | | | |
|----------|-------|----------------|----------|
| Material | Steel | Quality | St 2 K50 |
| Surface | plain | Hardness grade | St 2K50 |

| Article No. - 1225456 | |
|-----------------------|-----|
| d ₁ | 6 |
| d ₂ | 12 |
| s | 0,2 |