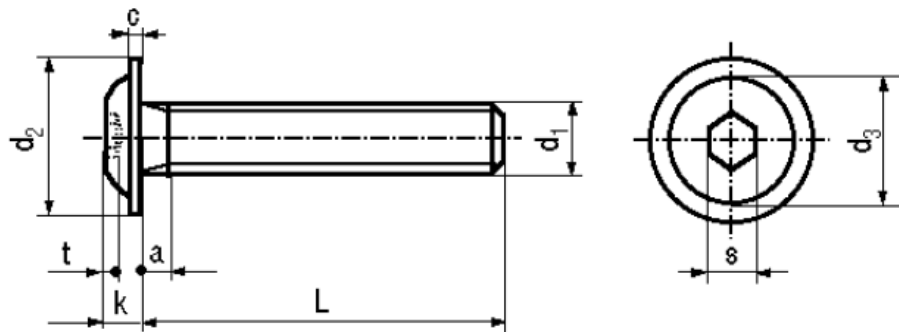


BN 11252

Hexagon socket button head screws
with flange



Material	Steel	Quality	~010.9
Surface	black		

Article No. - 2042096

d ₁	M5
L	10
d ₂ max.	11,6
d ₃ ~	9,2
k max.	2,8
c~	1
a max.	1,6
t min.	1,8
s	3