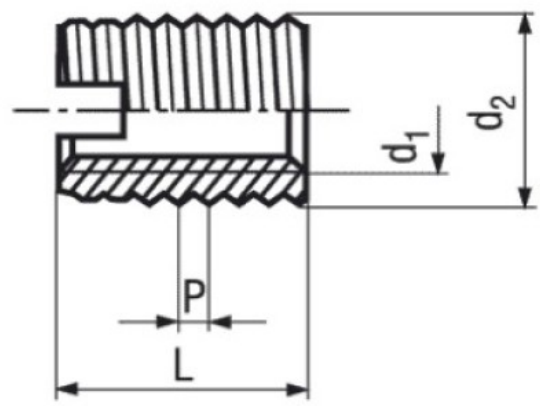


## BN 902

Self cutting threaded inserts



Trade mark	Ensat®	Material	Steel case-hardened
Type	302	Surface	zinc plated yellow

<b>Article No. - 1088408</b>	
$d_1$	M5
P	1
$d_2$	8
L	10

Setting tools: BN 1181 / BN 1182