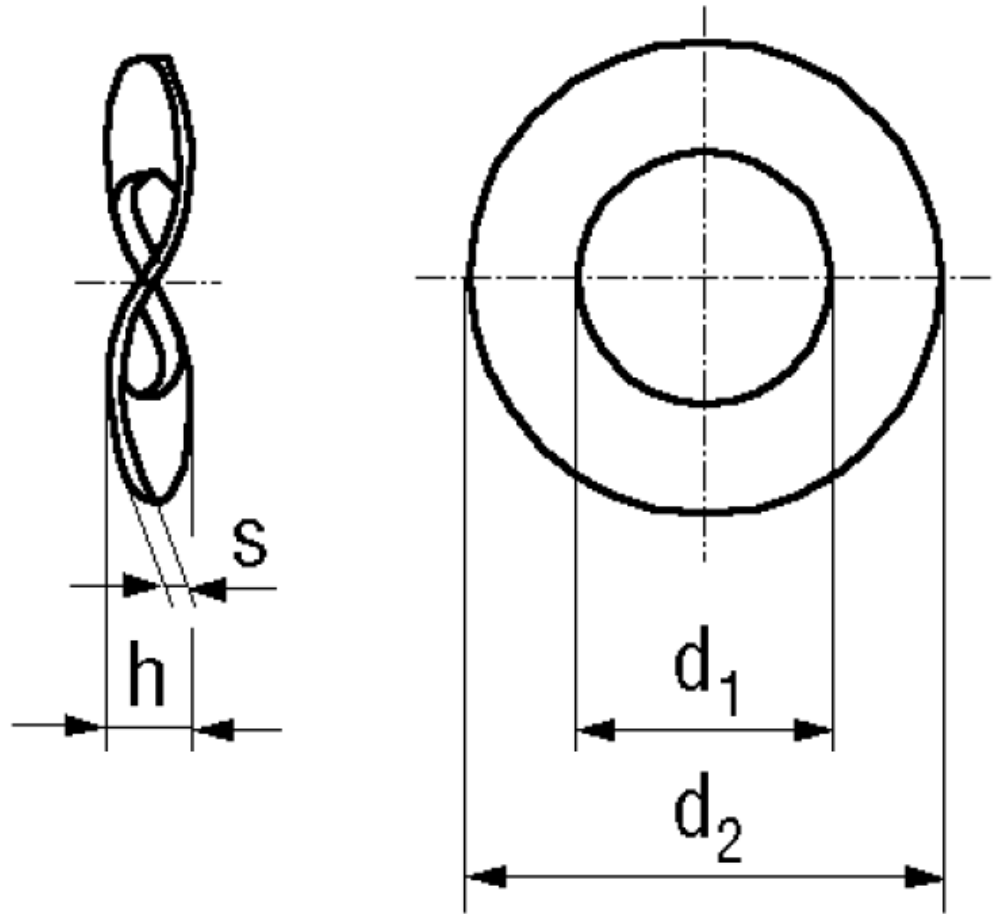


BN 798 - DIN 137 B

Waved spring washers

DIN 137 B
~UNI 6598



Material	Spring steel	Hardness	430-530 HV
Surface	mechanical zinc plated blue		

Article No. - 1280767	
for thread	M5
d ₁	5,3
d ₂	11
h min.	1,1
s	0,5

Standard withdrawn

Fasteners property in steel > 320 HV zinc plated: susceptible to hydrogen embrittlement!
Other coatings upon request.