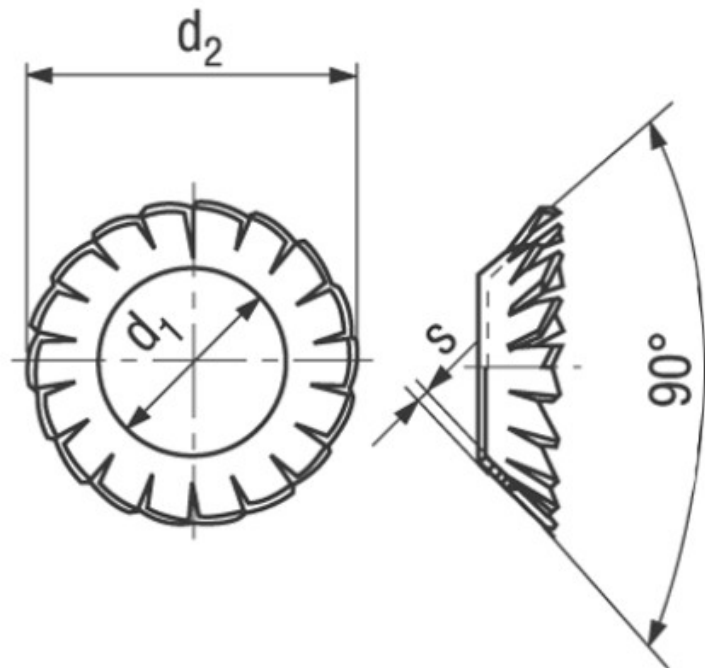


BN 786 - DIN 6798 V

Serrated lock washers
type V, for countersunk head screws

DIN 6798 V
~UNI 8842 V



Material	Spring steel	Hardness	350-425 HV
Surface	black		

Article No. - 1278800		
for thread		M5
d ₁ min.		5,3
d ₂ ~		9,8
s		0,3

DIN 6798: Standard withdrawn