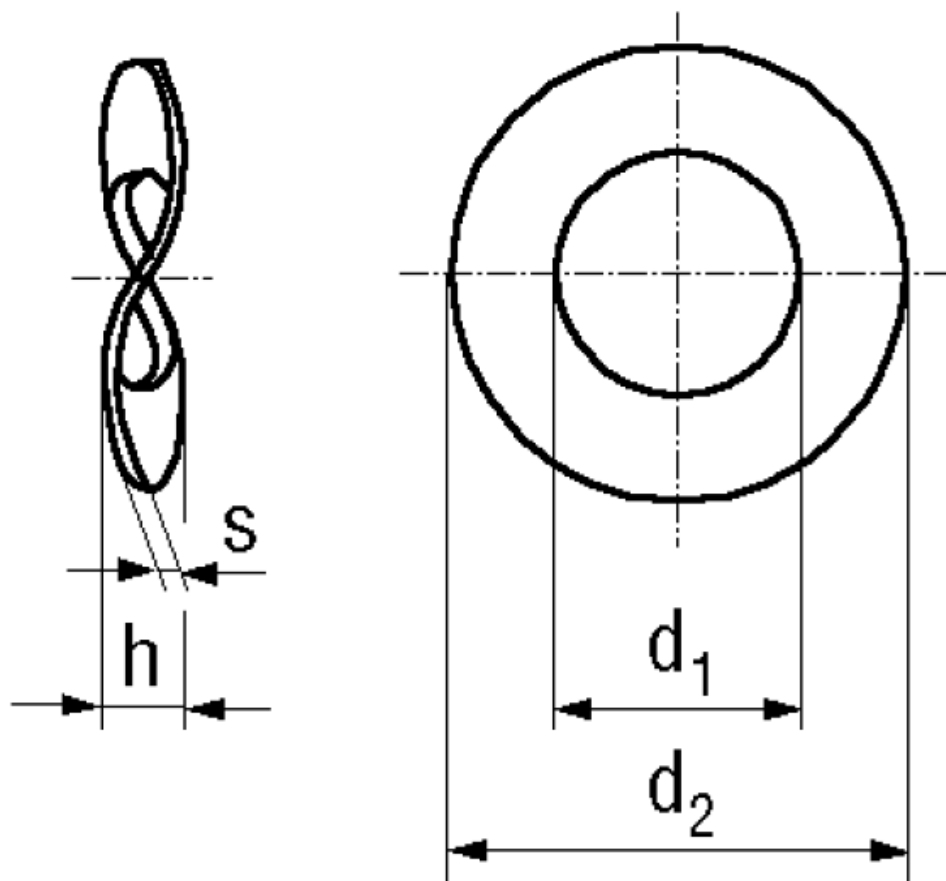


## BN 678 - DIN 137 B

Waved spring washers

DIN 137 B  
~UNI 8840 B



Material	Stainless steel	Quality	A2 / 1.4310
----------	-----------------	---------	-------------

Article No. - 1250221	
for thread	M5
$d_1$	5,3
$d_2$	11
h min.	1,1
s	0,5

Form A is no longer in force. We recommend DIN 137 B for new constructions.  
Material: At manufacturer's option