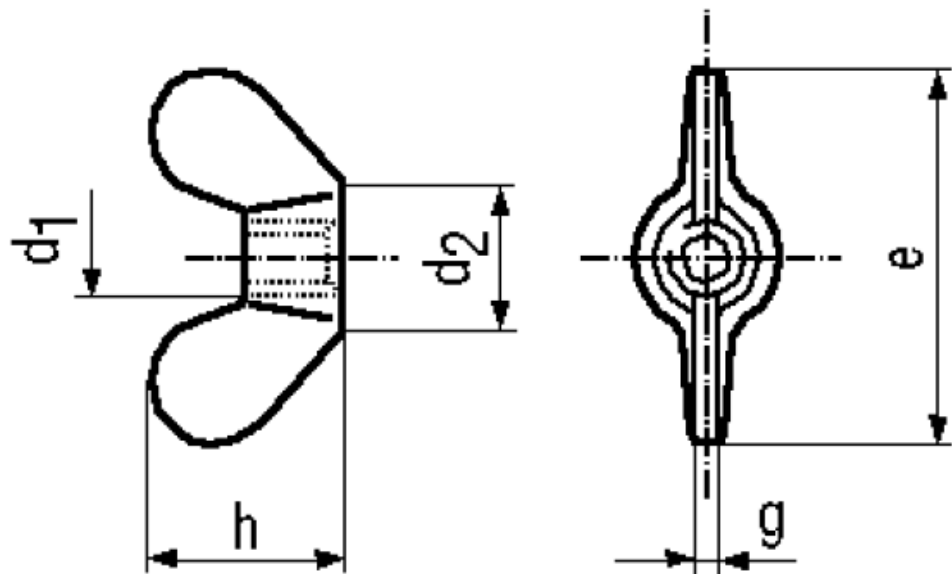


BN 208 - DIN 315

Wing nuts

DIN 315

~UNI 5448 B



Material	Malleable cast iron / Steel	Surface	zinc plated blue
----------	-----------------------------	---------	------------------

Article No. - 1099175

d_1	M5
d_2 max.	11
e max.	26
g max.	2,3
h max.	13

Material at manufacturer's option.