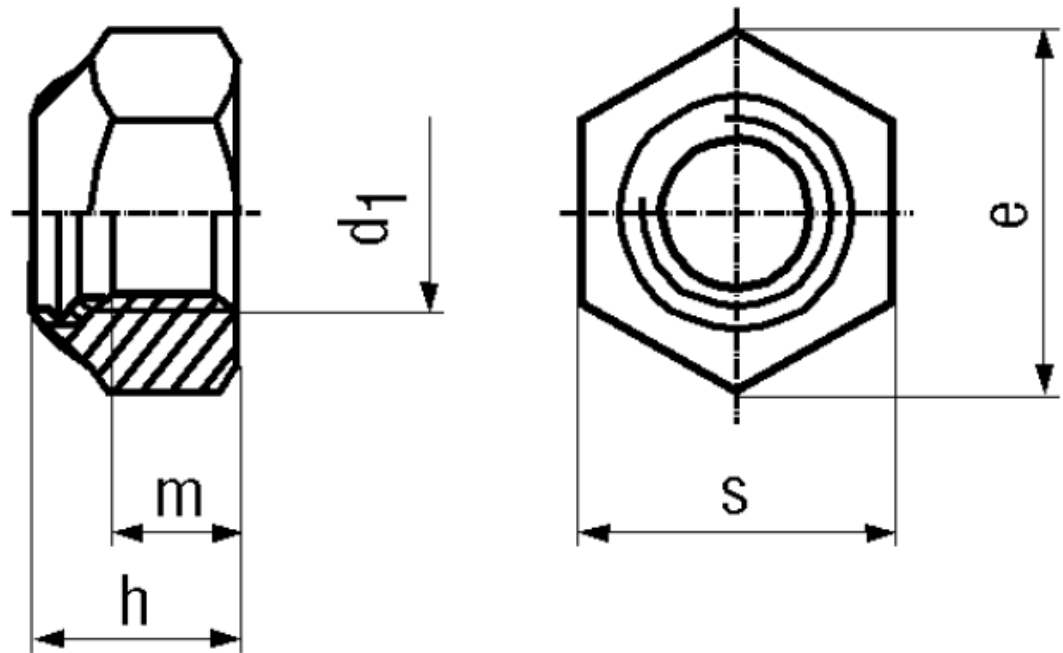


BN 161 - DIN 985 - ~ISO 10511

Prevailing torque type hexagon lock nuts
 nuts
 low type, with polyamide insert

DIN 985
 ~ISO 10511
 ~UNI 7474



Material	Steel	Quality	Cl. 6
Surface	zinc plated blue		

Article No. - 1094939

d_1	M5
e min.	8,79
h max.	5
m	3,2
s	8

DIN 985: Standard withdrawn
 Property class: At manufacturer's option.