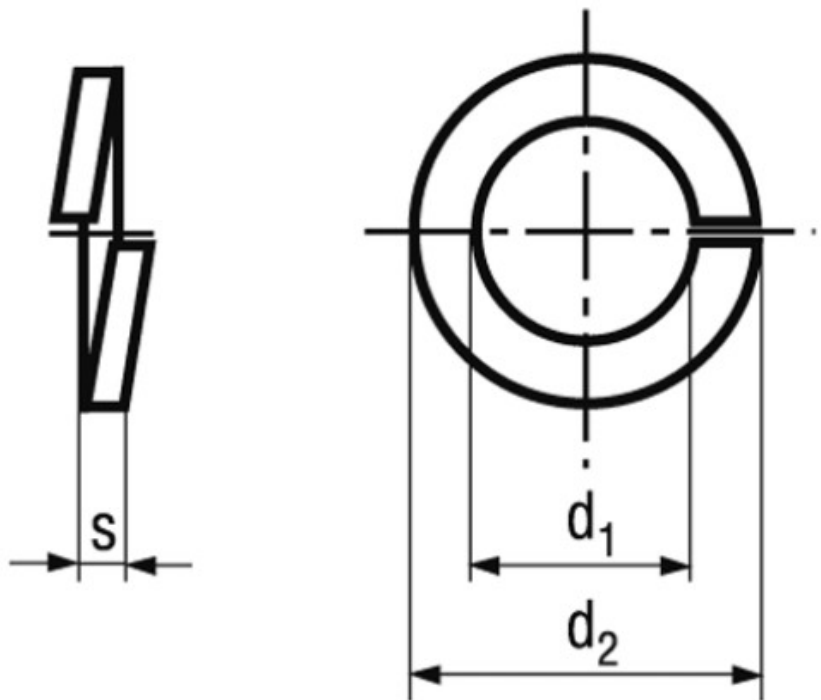


## BN 1352 - DIN 7980

Helical spring lock washers  
for screws with cylindrical head

DIN 7980



Material	<b>Stainless steel</b>	Quality	<b>A4</b>
----------	------------------------	---------	-----------

### Article No. - 1116800

for thread	M5
$d_1$ min.	5,1
$d_1$ max.	5,4
$d_2$ max.	8,8
s	1,6

DIN 7980: Standard withdrawn