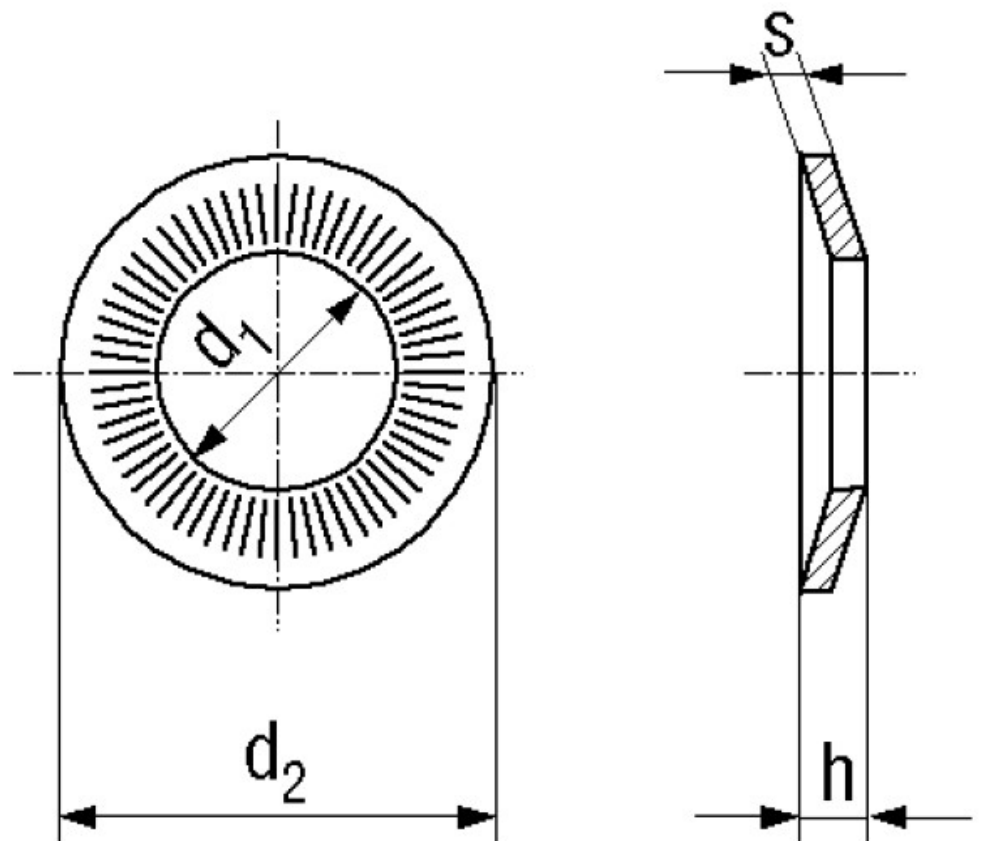


## BN 13292

Lock washers

~NF E 25-511



Trade mark	Rip-Lock	Surface	zincflake coated
Material	Spring steel		

Article No. - 1558536	
for thread	M5
d <sub>1</sub> min.	5,1
d <sub>2</sub>	12
h max.	1,8
s	1,1