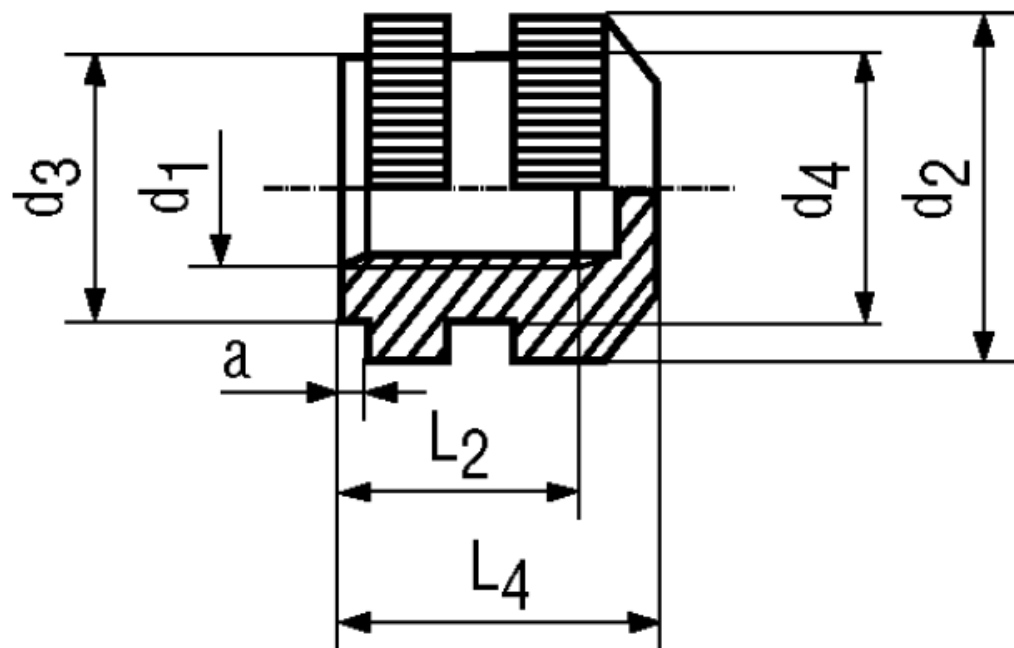


BN 1045

Threaded inserts
type S
closed, long

DIN 16903 S



Material **Brass** Surface **plain**

Article No. - 1386239

d_1	M5
L_2	7,5
L_4	10,8
d_2	7
d_3	7
a	1
d_4	6,4