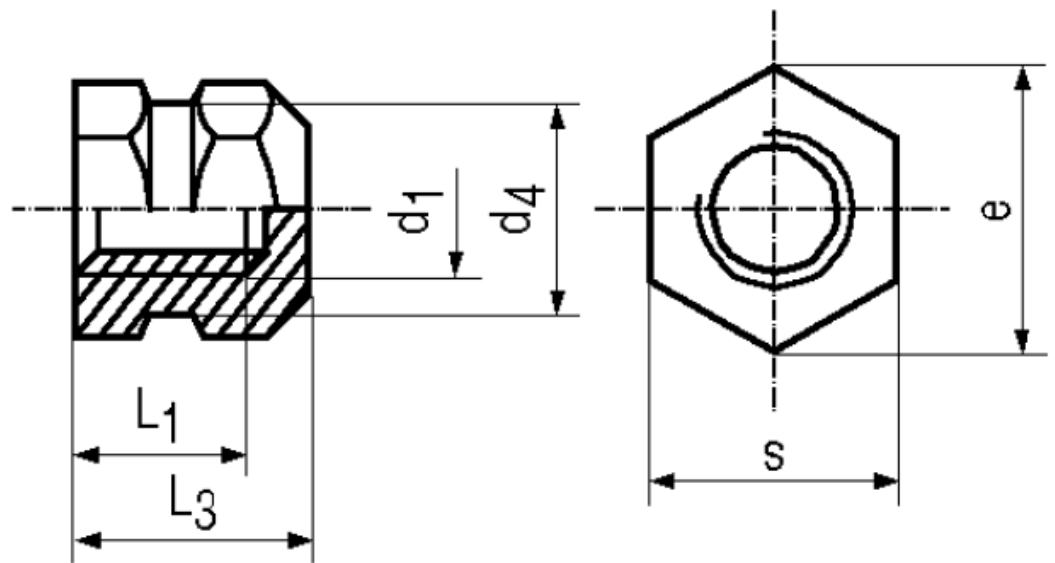


BN 1042

Threaded inserts
type P, closed, short
closed, short

DIN 16903 P



Material	Brass	Surface	plain
----------	-------	---------	-------

Article No. - 1385968

d ₁	M5
L ₁	5
L ₃	8,3
e	8,1
s	7
d ₄	6,4