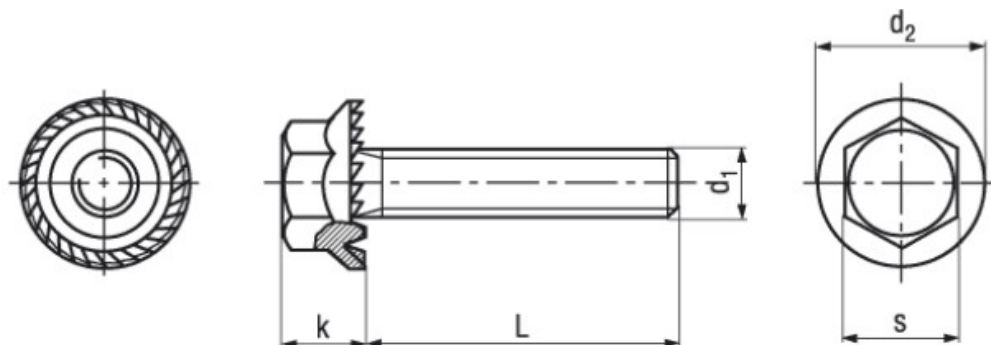


BN 73

Hexagon head locking screws



| | | | |
|------------|------------------------------|------------------|----------------------------------|
| Trade mark | VERBUS TENSILOCK® | Quality | 90 |
| Material | Steel | Tensile strength | 900-1100 N/mm² |
| Surface | black | | |

Article No. - 1062883

| | |
|---------------------|------|
| d ₁ | M5 |
| L | 12 |
| d ₂ max. | 11,2 |
| k max. | 4,3 |
| s | 8 |