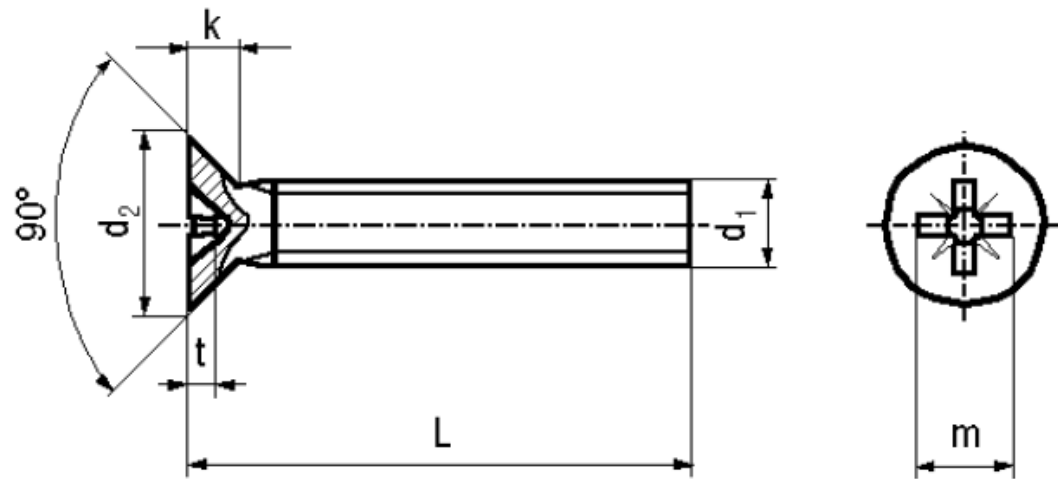


## BN 82213 - DIN 965 A - ~ISO 7046

Cross recessed flat countersunk  
head screws  
Pozidriv Z

DIN 965 A  
~ISO 7046  
~UNI 7688



Material  Quality

### Article No. - 3061486

|                |      |
|----------------|------|
| d <sub>1</sub> | M5   |
| L              | 10   |
| d <sub>2</sub> | 9,2  |
| k max.         | 2,5  |
| Pozidriv       | 2    |
| m~             | 4,4  |
| t min.         | 2,05 |
| t max.         | 2,51 |

DIN 965: Standard withdrawn

All lengths fully threaded  
Countersink must be designed according to the corresponding standard!

Screwdriver Bits 1/4": BN 31514 and BN 31516 / CG 1.