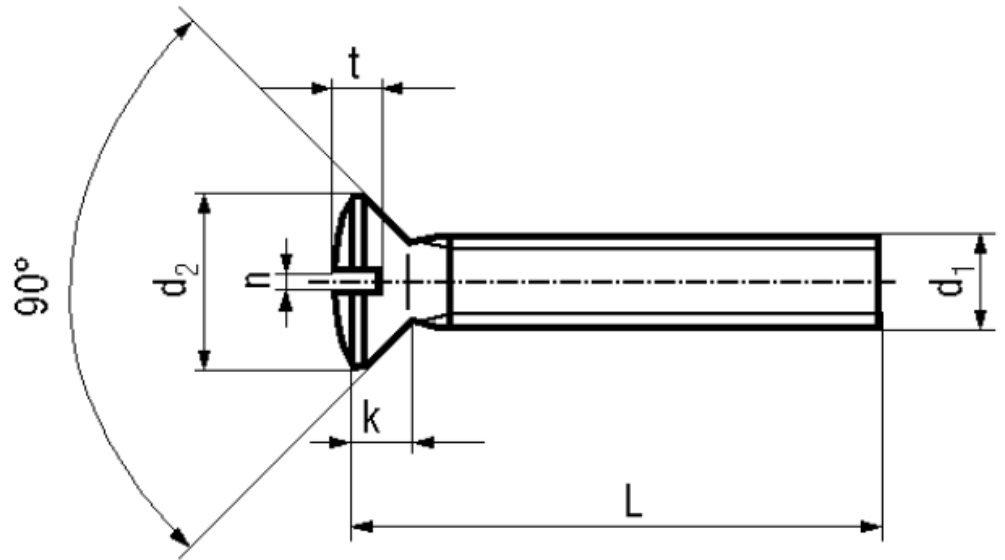


BN 368

Slotted oval countersunk head screws

DIN 964 A
~ISO 2010
~UNI 6110



Material	Steel	Tensile strength	400 N/mm ²
Surface	zinc plated blue	Elongation after fracture	min. 14%
Quality	4.8		

Article No. - 1147293

d ₁	M5
L	10
d ₂ max.	9,2
k max.	2,5
n	1,2
t min.	2

DIN 964 A: Standard withdrawn
All lengths fully threaded.