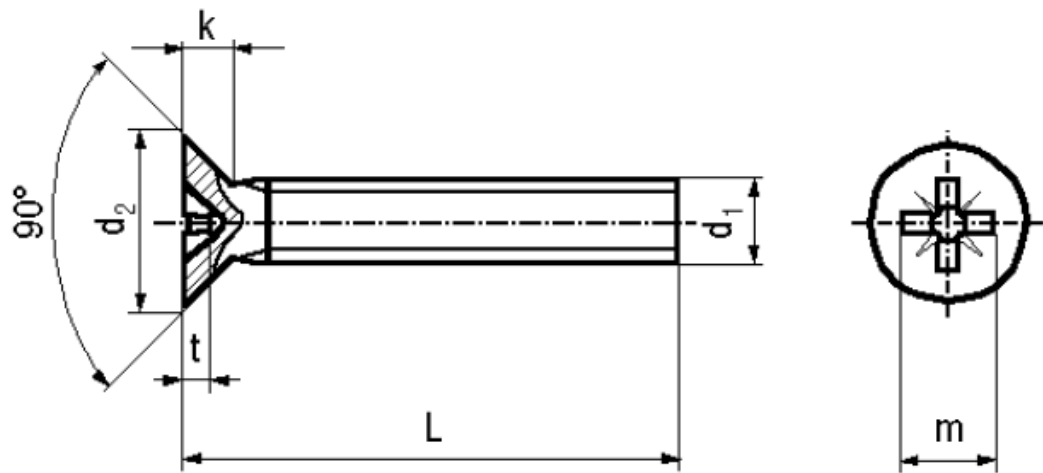


## BN 3333

Cross recessed flat countersunk  
head screws  
Pozidriv Z

DIN 965 A  
~ISO 7046  
~UNI 7688



Material	Steel	Quality	4.8
Surface	zinc plated blue	Tensile strength	400 N/mm <sup>2</sup>

### Article No. - 1537024

d <sub>1</sub>	M4
L	6
d <sub>2</sub> max.	7,5
k max.	2,2
Pozidriv	2
m~	4
t min.	1,6
t max.	2,06

DIN 965 A: Standard withdrawn  
DIN 965 A Phillips cross recess (Type H) see BN 388, BN 8167.  
All lengths fully threaded.