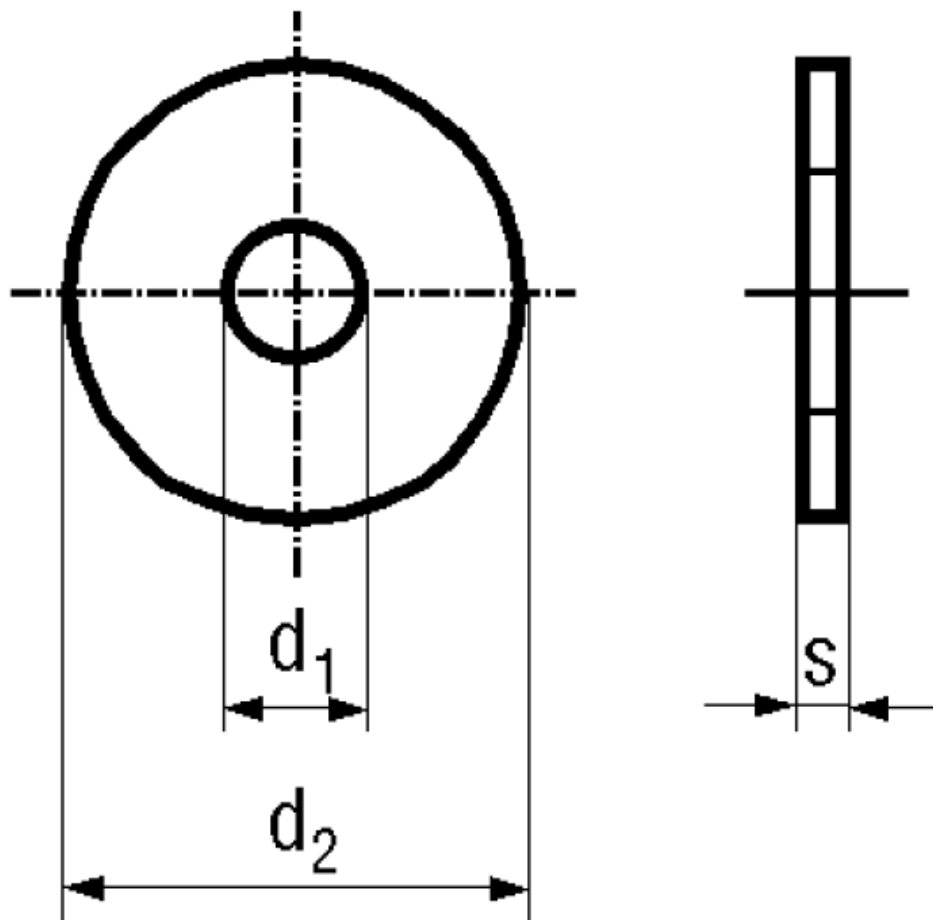


BN 730 - DIN 9021 - ~ISO 7093

Flat washers
without chamfer

DIN 9021
~ISO 7093
~UNI 6593



Material	Steel	Hardness grade	140 HV for \leq M16 (Product grade A), 100 HV for $>$ M16 (Product grade C)
Surface	zinc plated yellow		

Article No. - 1270125	
for thread	M4
d_1	4,3
d_2	12
s	1

DIN 9021: Standard withdrawn