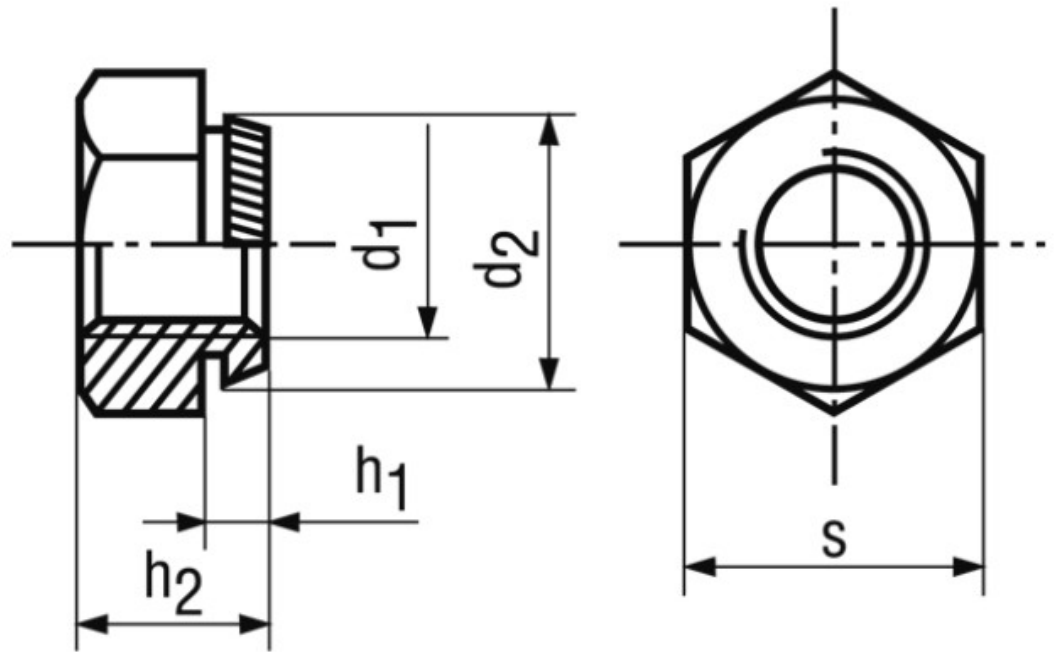


## BN 640

Hexagon self clinching nuts



Material  Quality

**Article No. - 1242490**

d <sub>1</sub>	M4
h <sub>1</sub>	0,9
Hole size	5,5
d <sub>2</sub>	5,7
h <sub>2</sub>	3,2
s	7

For sheet metal with max. hardness HRB 70