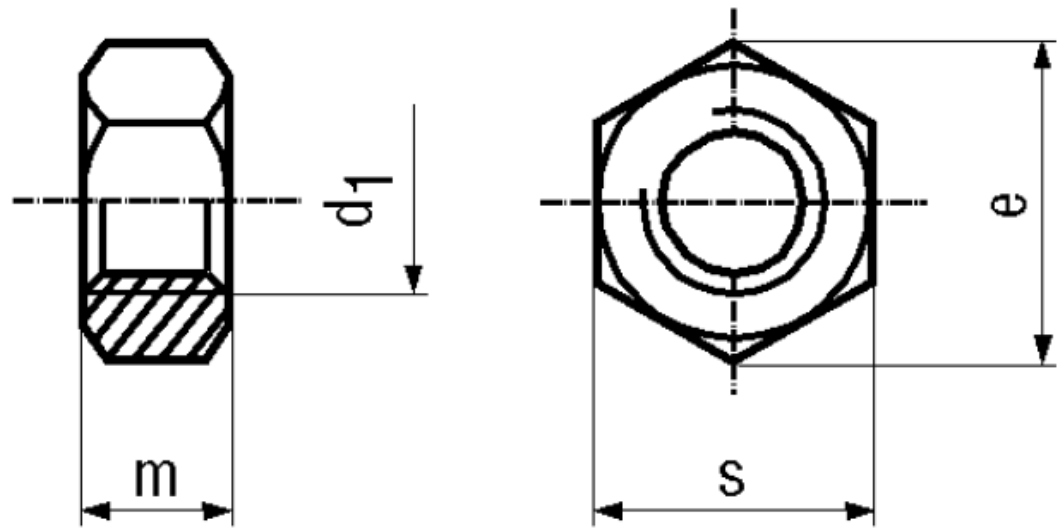


BN 628 - DIN 934 - ~ISO 4032

Hexagon nuts ~0,8d

DIN 934
~ISO 4032
~UNI 5588



Material **Stainless steel** Quality **A2**

Article No. - 1241478

d_1	M4
e min.	7,66
s	7
m max.	3,2

DIN 934: Standard withdrawn

Hexagon nuts type 1 ISO 4032: BN 5713 / BN 2586