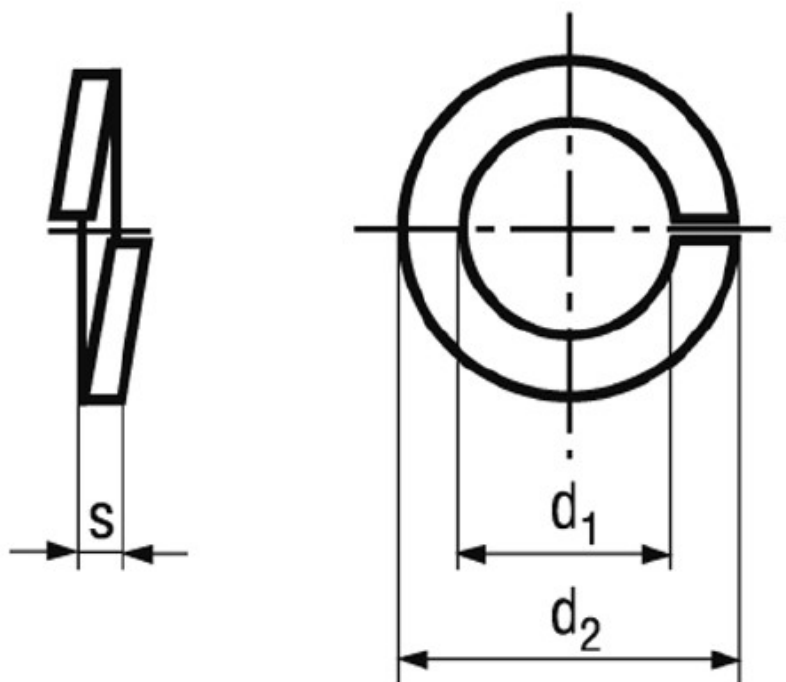


BN 5258 - DIN 7980

Helical spring lock washers
for screws with cylindrical head

DIN 7980



Material	Stainless steel	Quality	A2
----------	-----------------	---------	----

Article No. - 3062114

for thread	M4
d_1 min.	4,1
d_1 max.	4,4
d_2 max.	7
s	1,2

DIN 7980: Standard abolished