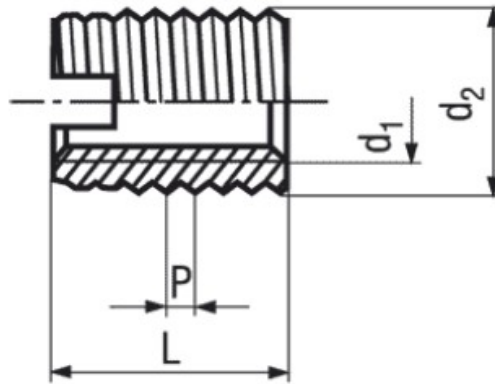


## BN 2708

Self cutting threaded inserts



Trade mark	Ensats®	Material	Stainless steel
Type	302	Quality	A1

### Article No. - 1472267

$d_1$	M4
$P$	0,75
$d_2$	6,5
$L$	8

Insertion tools for Ensats®: CG3