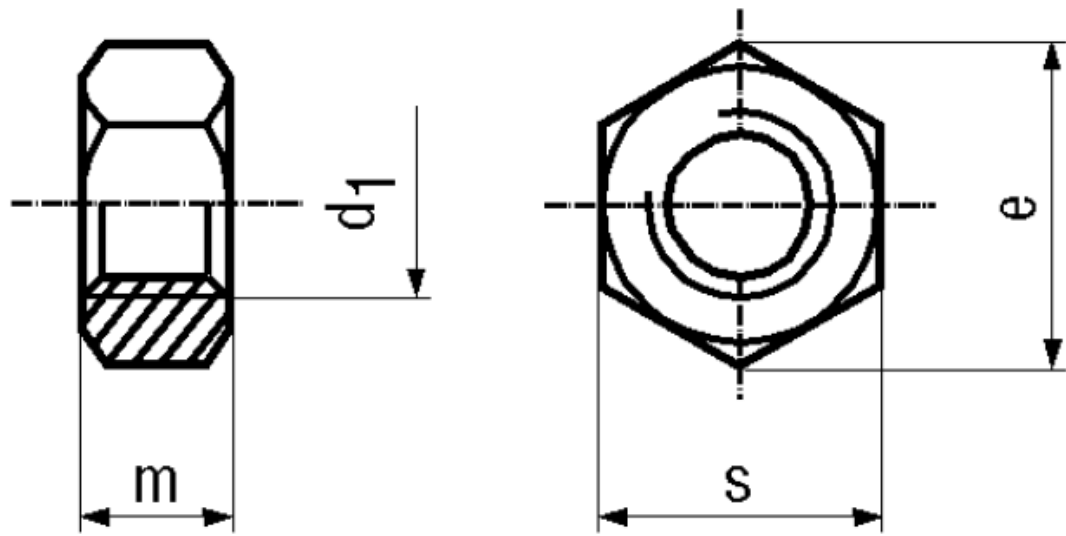


BN 139 - DIN 934 - ~ISO 4032

Hexagon nuts ~0,8d
left hand thread

DIN 934
~ISO 4032
~UNI 5588



Material	Steel	Quality	cl. 8
Surface	zinc plated blue		

Article No. - 1092294

d_1	M4L
e min.	7,66
s	7
m max.	3,2

DIN 934: Standard withdrawn

M10; M12; M14; M22: New WAFs according to ISO 272