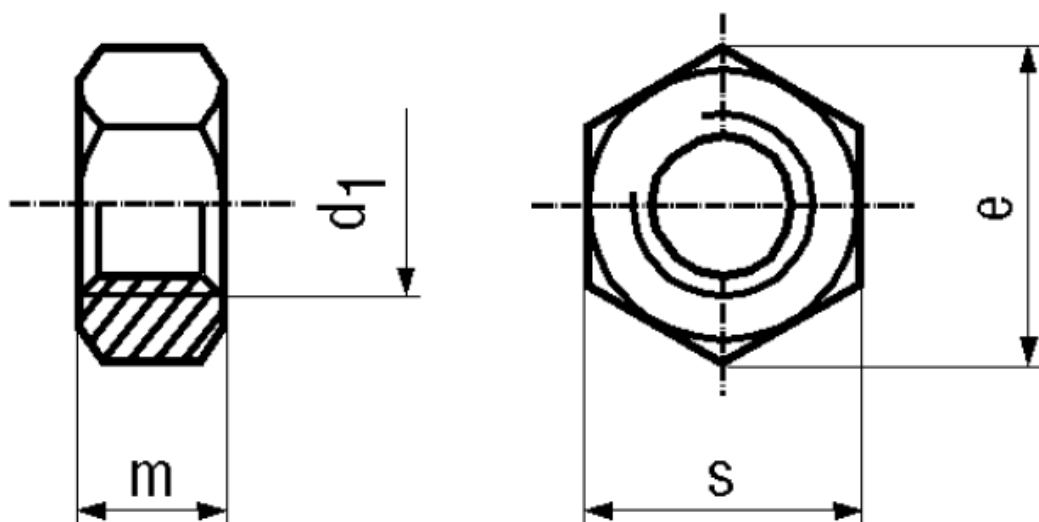


BN 118 - DIN 934 - ~ISO 4032

Hexagon nuts ~0,8d

DIN 934
~ISO 4032
UNI 5588



Material	Steel	Quality	cl. 8
Surface	zinc plated yellow		

Article No. - 1089749	
d_1	M4
e min.	7,66
s	7
m max.	3,2

DIN 934: Standard withdrawn
M10, M12: new WAFs according to ISO 272.