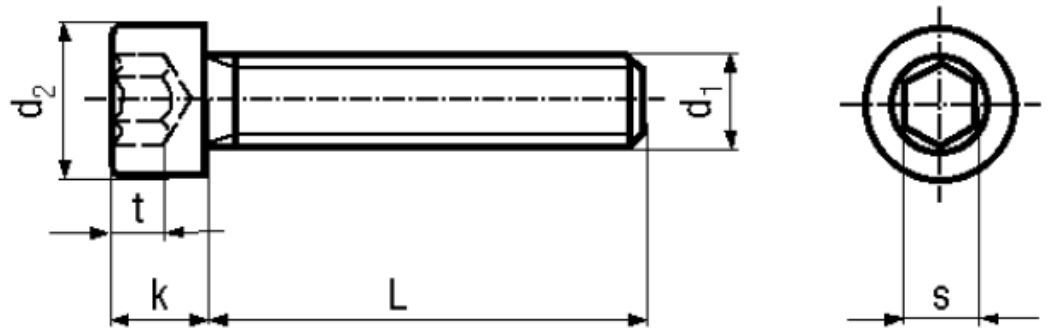


BN 5264

Hexagon socket head cap screws
fully threaded
fully threaded

DIN 912
ISO 4762



Material	Steel	Tensile strength	800 N/mm ²
Surface	zinc plated yellow	Proof stress 0,2%	640 N/mm ²
Quality	8.8	Elongation after fracture	min. 12%

Article No. - 1185349

d ₁	M4
L	8
d ₂	7
k	4
s	3
t min.	2

DIN 912: Standard withdrawn