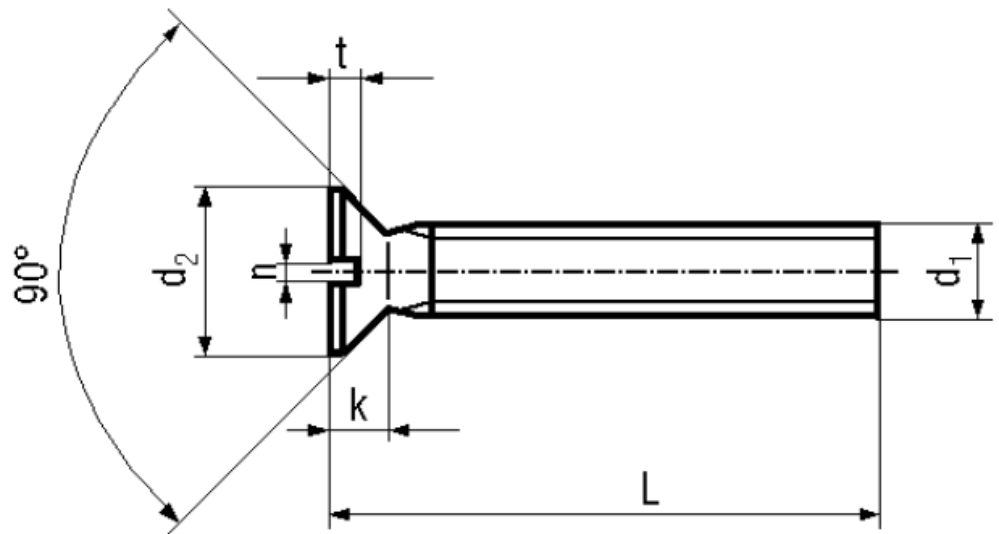


## BN 363

Slotted flat countersunk head screws

DIN 963 A  
~ISO 2009  
~UNI 6109



Material	<b>Steel</b>	Tensile strength	<b>800 N/mm<sup>2</sup></b>
Surface	<b>zinc plated blue</b>	Proof stress 0,2%	<b>640 N/mm<sup>2</sup></b>
Quality	<b>8.8</b>	Elongation after fracture	<b>min. 12%</b>

### Article No. - 1144138

d <sub>1</sub>	M4
L	8
d <sub>2</sub> max.	7,5
k max.	2,2
n	1
t min.	0,8
Proof load (N)	5100

DIN 963 A: Standard withdrawn  
All lengths fully threaded.