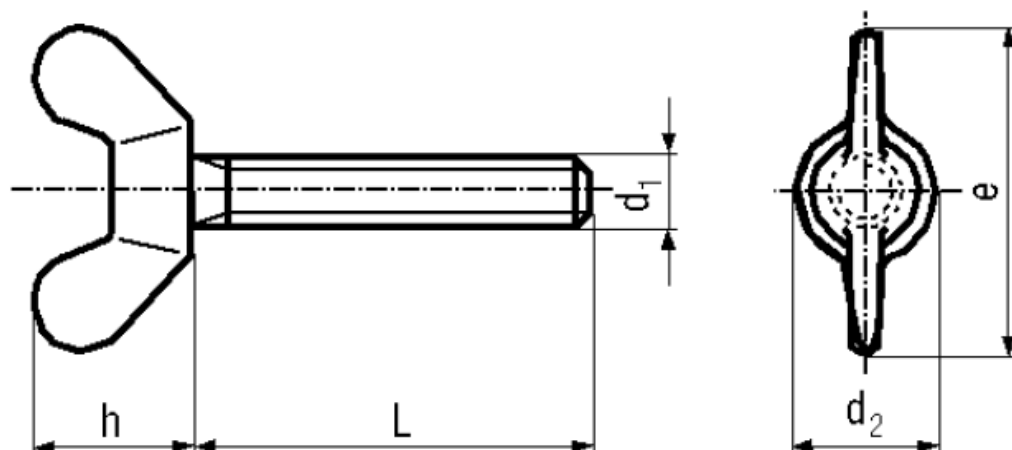


BN 276

Wing screws

DIN 316

~UNI 5449



Material	Malleable cast iron / Steel	Surface	zinc plated blue
----------	-----------------------------	---------	------------------

Article No. - 3056116

d_1	M4
L	8
d_2 max.	8
e max.	20
h max.	10,5

At manufacturer's option: Wing malleable cast iron or steel